

Lumistar Luminaire ESL 27-Ex, Stainless Steel

CE 0158

3755.351 a



II 2G Ex d IIC T3/T4/T6 Gb
II 2D Ex tb IIIC T80/T130/T195°C Db

- **For mounting on sight glass fittings:**
This Ex-type sight glass luminaire is designed for universal applications in potentially explosive environments. It is ideal for use in combined sight and light glass units, either as a single flange version or with two separate flanged ports.
- **Compact yet powerful:**
Dazzle-free illumination; suitable for use with circular sight glass fittings to DIN 28120/DIN 28121 or similar, with screw-type sight glass fittings in compliance with DIN 11851, and in visual flow indicators.
- **Optimum screw-in lens design ensures maximum light efficiency and convenient access when replacing lamps.**
- **Application:** For illuminating visual flow indicators, pipelines, laboratory mixers, and bioreactors as well as the interior of tanks, hoppers, silos, agitators and other – normally closed – vessels in potentially explosive environments – Gas: Zones 1 and 2; Dust: Zones 21 and 22.
- **Ideal for applications in sterile areas.**
- **Protection:** IP 65 and IP 67 to DIN EN 60529
- **Operating conditions:** Independent of the internal pressure/vacuum in the vessel. On no account should a sight glass luminaire be used on its own to close a vessel port or to replace the cover flange or the sight glass / luminaire flange assembly.
- **Lumistar luminaires of this series are approved for use in ambient temperatures of up to 40°C.**
- **Technical data Ex protection:**
This luminaire meets the essential safety and health requirements by complying with the regulations for
 - a) **Gas**
 - EN 60079-0: 2009 General requirements
 - EN 60079-1: 2007 Flame-proof Enclosure 'd'
 - Explosion group: IIC (including IIA and IIB)
 - Temperature class: up to T6 (depending on wattage)
 - b) **Dust**
 - EN 60079-0: 2009 General Requirements
 - EN 60079-31: 2009 Protection by Enclosures 't'
 - Explosion group: IIIC (including IIIA and IIIB)
 - Temperature class: up to T80°C (depending on wattage)
- **EC type-examination certificate:** BVS 08 ATEX E 139
 - II 2G Ex d IIC T3/T4/T6 Gb
 - II 2D Ex tb IIIC T80/T130/T195°C Db
- **Voltage type:** AC/DC, depending on lamp
- **Operating voltage:**
 - Without integrated transformer:**
 - 12 V... Halogen lamp 50 W
 - 24 V... Halogen lamp 20 W or 50 W
 - With integrated transformer:**
 - 120 V... Halogen lamp 12 V/50 W
 - 230 V... Halogen lamp 12 V/20 W, 35 W or 50 W
 - 240 V... Halogen lamp 12 V/35 W or 50 W

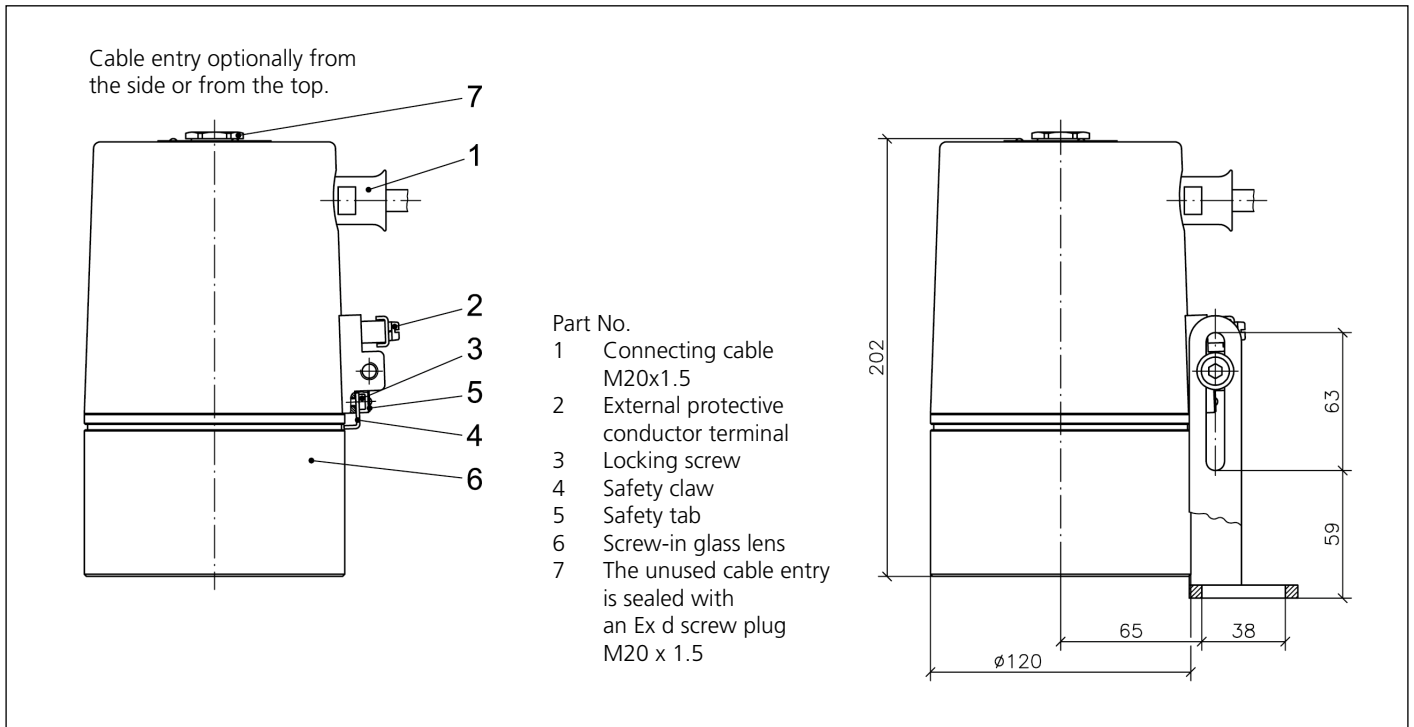


Lumistar luminaire ESL 27-Ex
50 W, T4, with hinged bracket mounting attachment

- **Straightforward electrical installation via integrated connecting cable.**
 - **Electrical connection:**
Works-fitted connecting cable with side or top entry (please specify in order). Cable is pressure-tight resin-cast into trumpet entry gland. Cable length: 2 m (alternative length: 10 m).

Cable intended for use in temperature categories T3/T4 (35 W, 50 W) should be resistant to at least 110°C, e. g. Sinothem 110 H05GG-F 3G 1.5 mm².
 - **Simple mounting thanks to special bracket ensuring convenience of use!**
 - **Fastening options:**
Luminaires for sight glasses on circular fittings and visual flow indicators are mounted on the cover flange by means of the hinged bracket. With screw-type sight glass fittings, the luminaire is attached to the slotted cover nut.
- The Lumistar luminaire ESL 27-Ex fits the following nominal sizes:**
- Circular sight glass fittings to DIN 28120: DN 50
 - Circular sight glass fittings to DIN 28121: DN 50
 - Sight flow indicators: DN 50
 - Screw-type sight glass fittings similar to DIN 11851: DN 100
- **When used in sterile environments, this Lumistar luminaire is fitted over the adapter collar of the cover flange.**

• Dimensions and electrical data for Lumistar luminaire ESL 27-Ex:



• Components, design and materials:

- Body of luminaire: Stainless steel 1.4404, polished
- Fastening components: Stainless steel 1.4301 (see accessories)
- Cable entry gland: M20 x 1.5

• Weight (with 2 m connecting cable):

- Without built-in transformer: 7.2 kg
- With built-in transformer: 8.2 kg

• Connecting data: Temperature classification and electrical parameters (see also EC Type-Examination Certificate)

No.	ESL 27-Ex Variant	Part No.	Voltage	Built-in transformer	Halogen lamp		Ambient temperature range	
					Socket	Voltage	$-20^{\circ}\text{C} \leq T_a \leq +40^{\circ}\text{C}$	
1	(230 V/12 V) 20 W	3541.201.00	230 ~	with	GY6.35	12 V/20 W	2G T6	2D T80°C
2	(24 V) 20 W	3541.203.00	24 ≈	without	G4	24 V/20 W	2G T6	2D T80°C
3	(230 V/12 V) 35 W	3541.206.00	230 ~	with	GY6.35	12 V/35 W	2G T4	2D T130°C
4	(240 V/12 V) 35 W	3541.211.00	240 ~	with	GY6.35	12 V/35 W	2G T4	2D T130°C
5	(12 V) 50 W	3541.216.00	12 ≈	without	GY6.35	12 V/50 W	2G T4	2D T130°C
6	(24 V) 50 W	3541.221.00	24 ≈	without	GY6.35	24 V/50 W	2G T4	2D T130°C
7	(120 V/12 V) 50 W	3541.226.00	120 ~	with	GY6.35	12 V/50 W	2G T3	2D T195°C
8	(230 V/12 V) 50 W	3541.233.00	230 ~	with	GY6.35	12 V/50 W	2G T4	2D T130°C
9	(240 V/12 V) 50 W	3541.236.00	240 ~	with	GY6.35	12 V/50 W	2G T3	2D T195°C

• Accessories:

No.	Component	Part No.
1	Mounting attachment for luminaire (hinged bracket)	0354.021.00
2	Installation tool – face spanner	6816.002.00
3	Timer module, ex-approved	On request
4	Connecting cable	On request

• Order data:

e. g. Lumistar luminaire ESL 27-Ex (230 V/12 V) 50 W, Ex d IIC T4, with 2 m connecting cable, side cable entry, part no. 3541.233.00

- Please also see appropriate Installation and Operating Instructions.

All dimensions in mm unless stated otherwise. Subject to change without prior notice. 11.15