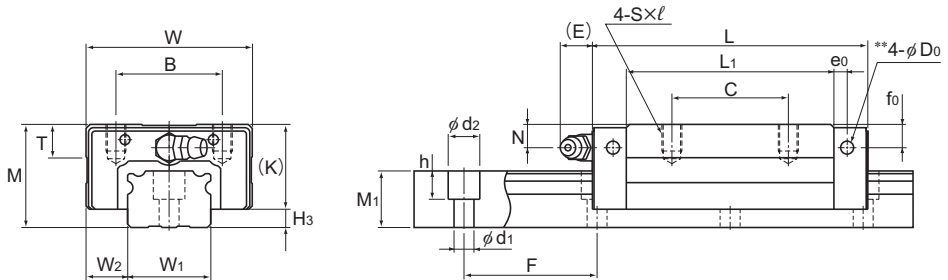


# Models NRS-R and NRS-LR



Model NRS-R

Model No.	Outer dimensions			LM block dimensions													Grease nipple	H <sub>3</sub>
	Height	Width	Length	B	C	S × l	L <sub>1</sub>	T	K	N	f <sub>0</sub>	E	e <sub>0</sub>	D <sub>0</sub>				
	M	W	L	B	C	S × l	L <sub>1</sub>	T	K	N	f <sub>0</sub>	E	e <sub>0</sub>	D <sub>0</sub>				
NRS 25XR NRS 25XLR	31	50	82.8 102	32	35 50	M6 × 8	62.4 81.6	9.7	25.5	7	7	12	4	3.9	B-M6F	5.5		
NRS 30R NRS 30LR	38	60	98 120.5	40	40 60	M8 × 10	70.9 93.4	9.7	31	7	7	12	5	3.9	B-M6F	7		
NRS 35R NRS 35LR	44	70	109.5 135	50	50 72	M8 × 12	77.9 103.4	11.7	35	8	8	12	6	5.2	B-M6F	9		
NRS 45R NRS 45LR	52	86	139 171	60	60 80	M10 × 17	105 137	14.7	40.5	10	8	16	7	5.2	B-PT1/8	11.5		
NRS 55R NRS 55LR	63	100	162.8 200	65	75 95	M12 × 18	123.6 160.8	17.5	49	11	10	16	8	5.2	B-PT1/8	14		
NRS 65R NRS 65LR	75	126	185.6 245.6	76	70 110	M16 × 20	143.6 203.6	21.5	60	16	15	16	9	8.2	B-PT1/8	15		
NRS 75R NRS 75LR	83	145	218 274	95	80 130	M18 × 25	170.2 226.2	25.3	68	18	17	16	9	8.2	B-PT1/8	15		
NRS 85R NRS 85LR	90	156	246.7 302.8	100	80 140	M18 × 25	194.9 251	27.3	73	20	20	16	10	8.2	B-PT1/8	17		
NRS 100R NRS 100LR	105	200	286.2 326.2	130	150 200	M18 × 27	223.4 263.4	34.3	85	23	23	10	12	8.2	B-PT1/4	20		

## Model number coding

**NRS45 LR 2 QZ ZZHH C0 +1200L P Z T - II**

Model number

Type of LM block

With QZ Lubricator

Contamination protection accessory symbol (\*1)

LM rail length (in mm)

Symbol for LM rail jointed use

Symbol for No. of rails used on the same plane (\*5)

No. of LM blocks used on the same rail

Radial clearance symbol (\*2)  
Normal (No symbol)/Light preload (C1)  
Medium preload (C0)

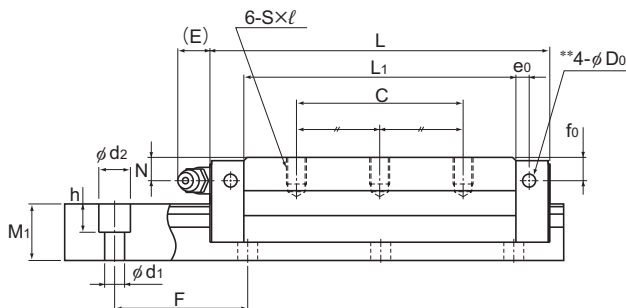
With plate cover or steel tape (\*4)

Accuracy symbol (\*3)

Normal grade (No Symbol)/High accuracy grade (H)  
Precision grade (P)/Super precision grade (SP)  
Ultra precision grade (UP)(\*1) See contamination protection accessory on **A1-510** (\*2) See **A1-70**. (\*3) See **A1-77**.(\*4) Specify the plate cover or the steel tape. (\*5) See **A1-13**.

Note) This model number indicates that a single-rail unit constitutes one set. (i.e., required number of sets when 2 rails are used in parallel is 2 at a minimum.)

Those models equipped with QZ Lubricator cannot have a grease nipple.



Model NRS-LR

Unit: mm

LM rail dimensions							Basic load rating		Static permissible moment kN·m*					Mass	
Width W <sub>1</sub> 0 -0.05	W <sub>2</sub>	Height M <sub>1</sub>	Pitch F	d <sub>1</sub> × d <sub>2</sub> × h	Length* Max	C kN	C <sub>0</sub> kN	M <sub>A</sub>		M <sub>B</sub>		M <sub>C</sub>	LM block kg	LM rail kg/m	
								1 block	Double blocks	1 block	Double blocks	1 block			
25	12.5	17	40	6 × 9.5 × 8.5	3000	25.9 34.5	59.8 79.7	0.568 0.926	2.84 4.6	0.568 0.926	2.84 4.6	0.633 0.846	0.43 0.55	3.1	
28	16	21	80	7 × 11 × 9	3000	38.2 51	86.1 115	0.926 1.6	4.86 7.83	0.926 1.6	4.86 7.83	1.02 1.36	0.74 1	4.3	
34	18	24.5	80	9 × 14 × 12	3000	49.5 67.2	109 148	1.28 2.29	6.92 11.3	1.28 2.29	6.92 11.3	1.54 2.09	1.1 1.4	6.2	
45	20.5	29	105	14 × 20 × 17	3000	75.3 98.8	163 214	2.47 4.34	13 20.5	2.47 4.34	13 20.5	3.09 4.06	2 2.8	9.8	
53	23.5	36.5	120	16 × 23 × 20	3000	103 133	220 284	3.97 6.49	20.5 32	3.97 6.49	20.5 32	4.86 6.28	3.3 4.3	14.5	
63	31.5	43	150	18 × 26 × 22	3000	148 204	309 425	6.45 12.3	32.9 58.6	6.45 12.3	32.9 58.6	8.11 11.1	6 8.7	20.3	
75	35	44	150	22 × 32 × 26	3000	212 278	431 566	10.6 18.6	53.8 87	10.6 18.6	53.8 87	13.4 17.6	8.7 11.6	24.6	
85	35.5	48	180	24 × 35 × 28	3000	264 342	531 687	14.9 25.4	75.3 117	14.9 25.4	75.3 117	18.7 24.2	12.3 15.8	30.5	
100	50	57	210	26 × 39 × 32	3000	376 470	737 920	25.1 34.6	123 174	25.1 34.6	123 174	30.4 38.1	21.8 26.1	42.6	

Note) Pilot holes for side nipples\*\* are not drilled through in order to prevent foreign material from entering the product.

THK will mount grease nipples per your request. Therefore, do not use the side nipple pilot holes\*\* for purposes other than mounting a grease nipple.

The maximum length under "Length\*" indicates the standard maximum length of an LM rail. (See [A1-238](#).)

Static permissible moment\*: 1 block: static permissible moment value with 1 LM block

Double blocks: static permissible moment value with 2 blocks closely contacting with each other