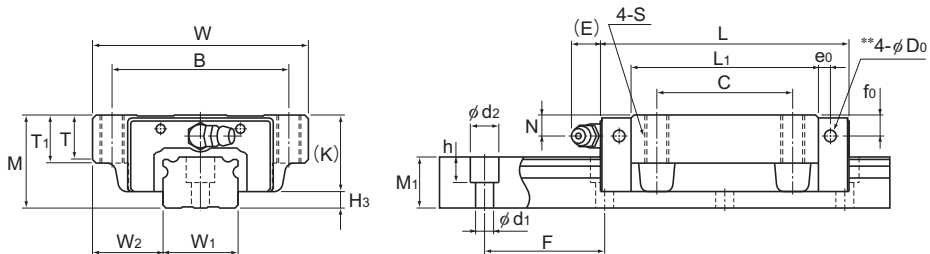


Models NR-A and NR-LA



Model NR-A

Model No.	Outer dimensions			LM block dimensions														Grease nipple	H ₃
	Height	Width	Length	B	C	S×ℓ	L ₁	T	T ₁	K	N	f ₀	E	e ₀	D ₀				
	M	W	L	B	C	S×ℓ	L ₁	T	T ₁	K	N	f ₀	E	e ₀	D ₀		H ₃		
NR 25XA NR 25XLA	31	72	82.8 102	59	45	M8×16	62.4 81.6	14.8	16	25.5	7	7	12	4	3.9	B-M6F	5.5		
NR 30A NR 30LA	38	90	98 120.5	72	52	M10×18	70.9 93.4	16.8	18	31	7	7	12	5	3.9	B-M6F	7		
NR 35A NR 35LA	44	100	109.5 135	82	62	M10×20	77.9 103.4	18.8	20	35	8	8	12	6	5.2	B-M6F	9		
NR 45A NR 45LA	52	120	139 171	100	80	M12×22	105 137	20.5	22	40.5	10	8	16	7	5.2	B-PT1/8	11.5		
NR 55A NR 55LA	63	140	162.8 200	116	95	M14×24	123.6 160.8	22.5	24	49	11	10	16	8	5.2	B-PT1/8	14		
NR 65A NR 65LA	75	170	185.6 245.6	142	110	M16×28	143.6 203.6	26	28	60	16	15	16	9	8.2	B-PT1/8	15		
NR 75A NR 75LA	83	195	218 274	165	130	M18×30	170.2 226.2	28	30	68	18	17	16	9	8.2	B-PT1/8	15		
NR 85A NR 85LA	90	215	246.7 302.8	185	140	M20×34	194.9 251	32	34	73	20	20	16	10	8.2	B-PT1/8	17		
NR 100A NR 100LA	105	260	286.2 326.2	220	150 200	M20×38	223.4 263.4	35	38	85	23	23	10	12	8.2	B-PT1/4	20		

Model number coding

NR35 A 2 QZ KKHH C0 +1400L P Z T - II

Model number

Type of LM block

With QZ Lubricator

Contamination protection accessory symbol (*1)

LM rail length (in mm)

Symbol for LM rail jointed use

Symbol for No. of rails used on the same plane (*5)

No. of LM blocks used on the same rail

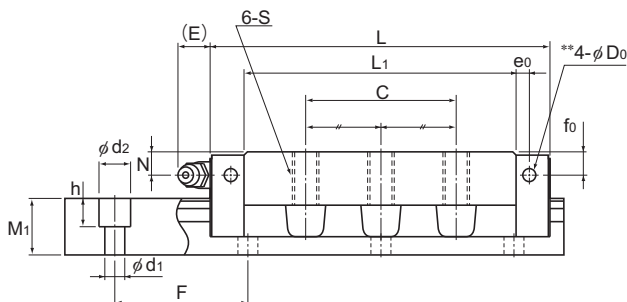
Radial clearance symbol (*2)
Normal (No symbol)
Light preload (C1)
Medium preload (C0)

With plate cover or steel tape (*4)

Accuracy symbol (*3)
Normal grade (No Symbol)/High accuracy grade (H)
Precision grade (P)/Super precision grade (SP)
Ultra precision grade (UP)

(*1) See contamination protection accessory on **A1-510** (*2) See **A1-70**. (*3) See **A1-77**.
(*4) Specify the plate cover or the steel tape. (*5) See **A1-13**.

Note) This model number indicates that a single-rail unit constitutes one set. (i.e., required number of sets when 2 rails are used in parallel is 2 at a minimum.)
Those models equipped with QZ Lubricator cannot have a grease nipple.



Model NR-LA

Unit: mm

LM rail dimensions						Basic load rating		Static permissible moment kN-m*					Mass	
Width W ₁ 0 -0.05	W ₂	Height M ₁	Pitch F	Length* Max	C kN	C ₀ kN	M _A		M _B		M _C	LM block kg	LM rail kg/m	
							1 block	Double blocks	1 block	Double blocks	1 block			
25	23.5	17	40	6×9.5×8.5	3000	33 44	84.6 113	0.771 1.26	3.86 6.29	0.469 0.775	2.33 3.82	0.91 1.21	0.58 0.77	3.1
28	31	21	80	7×11×9	3000	48.7 64.9	122 162	1.26 2.18	6.63 10.6	0.775 1.33	4.05 6.47	1.47 1.95	1.1 1.4	4.3
34	33	24.5	80	9×14×12	3000	63.1 85.7	155 210	1.75 3.14	9.47 15.5	1.08 1.92	5.8 9.43	2.24 3.03	1.5 1.9	6.2
45	37.5	29	105	14×20×17	3000	96 126	231 303	3.37 5.93	17.7 28	2.07 3.59	10.8 16.9	4.45 5.82	2.7 3.5	9.8
53	43.5	36.5	120	16×23×20	3000	131 170	310 402	5.39 8.87	27.8 43.8	3.3 5.41	16.9 26.6	6.98 9.05	4.4 5.7	14.5
63	53.5	43	150	18×26×22	3000	189 260	436 600	8.76 16.8	44.7 79.9	5.39 10.1	27.3 48	11.6 15.9	7.6 10.9	20.3
75	60	44	150	22×32×26	3000	271 355	610 800	14.4 25.4	73.3 118	8.91 15.4	44.7 71.4	19.3 25.2	11.3 15	24.6
85	65	48	180	24×35×28	3000	336 435	751 972	20.3 34.7	102 160	12.4 21	62.6 96.2	26.8 34.6	16.2 20.7	30.5
100	80	57	210	26×39×32	3000	479 599	1040 1300	34 47.3	167 238	20.7 29.2	101 146	43.4 54.6	26.7 31.2	42.6

Note) Pilot holes for side nipples** are not drilled through in order to prevent foreign material from entering the product.

THK will mount grease nipples per your request. Therefore, do not use the side nipple pilot holes** for purposes other than mounting a grease nipple.

The maximum length under "Length*" indicates the standard maximum length of an LM rail. (See **A1-238**.)

Static permissible moment*: 1 block: static permissible moment value with 1 LM block

Double blocks: static permissible moment value with 2 blocks closely contacting with each other