

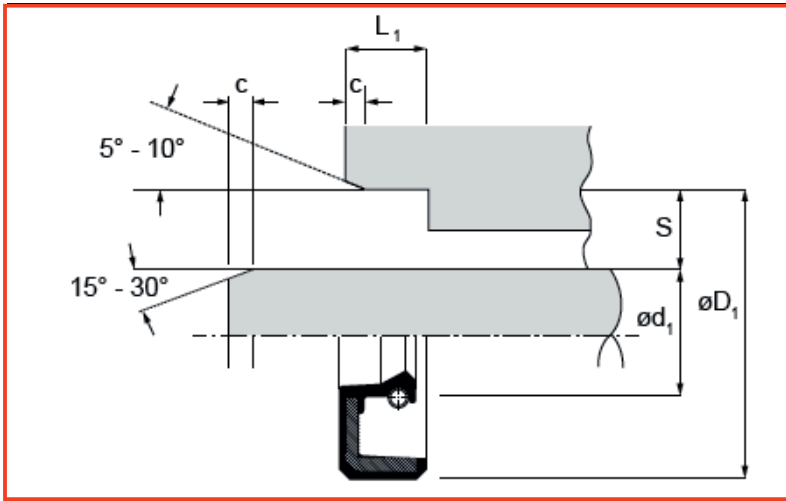


HENNLICH

TĚSNĚNÍ

SHAFT SEALS

TYPE A



RECOMMENDED TECHNICAL CONDITIONS

Material	Pressure	Temperature		Circumferential speed
NBR	max. 0,5 bar	-30 °C	100 °C	max. 12 m/s
FKM		-20 °C	200 °C	max. 37 m/s
HNBR		-30 °C	150 °C	max. 32 m/s
VMQ		-50 °C	200 °C	max. 37 m/s
ACM		-20 °C	150 °C	max. 23 m/s

These values are limiting, they must not occur simultaneously.

Shaft requirements	
Tolerance	ISO h11
Hardness	min. 45 HRC
Chamfer	15 ° - 30 °

Requirements for housing	
Tolerance	ISO H8
Chamfer	5 ° - 10 °

Surface roughness			
	Ra [µm]	Rz [µm]	Rmax [µm]
Shaft	0,2 - 0,8	1 - 5	≤ 6,3
Housing	1,6 - 1,6	10 - 25	≤ 25

SHAFT SEAL TYPE A

Meets the requirements of DIN 3760. Type A is a single-acting seal designed for rotary shaft movements. The sealing lip is preloaded with a tensile spring.

This all-rubber design is intended for a wide range of industrial applications. It guarantees excellent tightness also in the housing with higher roughness and in the presence of liquids with low viscosity or gases. Ensures sufficient compensation for the different thermal expansion of the surrounding materials. Dimensions from shaft diameters of 4 mm. The seal is available in NBR material as standard and FPM. Other materials are available on request.

CUSTOM MODIFICATIONS

Non-standard dimensions or profile modifications are possible, e.g. sealing lips with unidirectional or bi-directional hydrodynamic ribs to improve sealing capabilities at higher circumferential speeds.



These modifications may require a minimum quantities per order.

ASSEMBLY

Refer to the ASSEMBLY section.