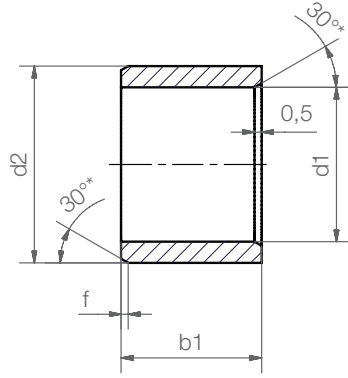


iglidur® X | Product Range

Sleeve bearing



Order key

XSM-0203-03



Length b1
Outer diameter d2
Inner diameter d1
Metric
Type (Form S)
Material iglidur® X

Dimensions according to ISO 3547-1 and special dimensions

* thickness < 1 mm, chamfer = 20°

Chamfer in relation to the d1

d1 [mm]:	Ø 1-6	Ø 6-12	Ø 12-30	Ø > 30
f [mm]:	0.3	0.5	0.8	1.2

Dimensions [mm]

Part number	d1	d1-Tolerance*	d2	b1 h13
XSM-0203-03	2.0	+0.006 +0.046	3.5	3.0
XSM-0304-03	3.0	+0.006 +0.046	4.5	3.0
XSM-0304-06	3.0	+0.006 +0.046	4.5	6.0
XSM-0405-04	4.0	+0.010 +0.058	5.5	4.0
XSM-0405-06	4.0	+0.010 +0.058	5.5	6.0
XSM-0405-10	4.0	+0.010 +0.058	5.5	10.0
XSM-0507-035	5.0	+0.010 +0.058	7.0	3.5
XSM-0507-05	5.0	+0.010 +0.058	7.0	5.0
XSM-0507-08	5.0	+0.010 +0.058	7.0	8.0
XSM-0608-06	6.0	+0.010 +0.058	8.0	6.0
XSM-0608-08	6.0	+0.010 +0.058	8.0	8.0
XSM-0608-10	6.0	+0.010 +0.058	8.0	10.0
XSM-0608-13	6.0	+0.010 +0.058	8.0	13.8
XSM-0709-10	7.0	+0.013 +0.071	9.0	10.0
XSM-0709-12	7.0	+0.013 +0.071	9.0	12.0
XSM-0810-06	8.0	+0.013 +0.071	10.0	6.0
XSM-0810-08	8.0	+0.013 +0.071	10.0	8.0
XSM-0810-10	8.0	+0.013 +0.071	10.0	10.0
XSM-0810-12	8.0	+0.013 +0.071	10.0	12.0
XSM-0810-15	8.0	+0.013 +0.071	10.0	15.0
XSM-1012-035	10.0	+0.013 +0.071	12.0	3.5
XSM-1012-06	10.0	+0.013 +0.071	12.0	6.0
XSM-1012-08	10.0	+0.013 +0.071	12.0	8.0
XSM-1012-10	10.0	+0.013 +0.071	12.0	10.0
XSM-1012-12	10.0	+0.013 +0.071	12.0	12.0

Part number	d1	d1-Tolerance*	d2	b1 h13
XSM-1012-15	10.0	+0.013 +0.071	12.0	15.0
XSM-1012-20	10.0	+0.013 +0.071	12.0	20.0
XSM-1214-035	12.0	+0.016 +0.086	14.0	3.5
XSM-1214-06	12.0	+0.016 +0.086	14.0	6.0
XSM-1214-08	12.0	+0.016 +0.086	14.0	8.0
XSM-1214-10	12.0	+0.016 +0.086	14.0	10.0
XSM-1214-12	12.0	+0.016 +0.086	14.0	12.0
XSM-1214-15	12.0	+0.016 +0.086	14.0	15.0
XSM-1214-20	12.0	+0.016 +0.086	14.0	20.0
XSM-1214-25	12.0	+0.016 +0.086	14.0	25.0
XSM-1416-12	14.0	+0.016 +0.086	16.0	12.0
XSM-1416-15	14.0	+0.016 +0.086	16.0	15.0
XSM-1416-20	14.0	+0.016 +0.086	16.0	20.0
XSM-1517-07	15.0	+0.016 +0.086	17.0	7.0
XSM-1517-10	15.0	+0.016 +0.086	17.0	10.0
XSM-1517-15	15.0	+0.016 +0.086	17.0	15.0
XSM-1517-20	15.0	+0.016 +0.086	17.0	20.0
XSM-1517-25	15.0	+0.016 +0.086	17.0	25.0
XSM-1618-10	16.0	+0.016 +0.086	18.0	10.0
XSM-1618-12	16.0	+0.016 +0.086	18.0	12.0
XSM-1618-15	16.0	+0.016 +0.086	18.0	15.0
XSM-1618-20	16.0	+0.016 +0.086	18.0	20.0
XSM-1618-35	16.0	+0.016 +0.086	18.0	35.0
XSM-1719-20	17.0	+0.016 +0.086	19.0	20.0
XSM-1820-15	18.0	+0.016 +0.086	20.0	15.0

* after pressfit. Testing methods ► page 75



delivery from stock
time



prices price list online
www.igus.eu/eu/x



Sleeve bearing

Dimensions [mm]

Part number	d1	d1-Tolerance*	d2	b1 h13
XSM-1820-20	18.0	+0.016 +0.086	20.0	20.0
XSM-2022-140	20.0	+0.020 +0.104	22.0	14.0
XSM-2022-145	20.0	+0.020 +0.104	22.0	14.5
XSM-2022-18	20.0	+0.020 +0.104	22.0	18.0
XSM-2022-20	20.0	+0.020 +0.104	22.0	20.0
XSM-2023-07	20.0	+0.020 +0.104	23.0	7.0
XSM-2023-10	20.0	+0.020 +0.104	23.0	10.0
XSM-2023-15	20.0	+0.020 +0.104	23.0	15.0
XSM-2023-20	20.0	+0.020 +0.104	23.0	20.0
XSM-2023-25	20.0	+0.020 +0.104	23.0	25.0
XSM-2023-30	20.0	+0.020 +0.104	23.0	30.0
XSM-2225-15	22.0	+0.020 +0.104	25.0	15.0
XSM-2225-20	22.0	+0.020 +0.104	25.0	20.0
XSM-2426-20	24.0	+0.020 +0.104	26.0	20.0
XSM-2427-20	24.0	+0.020 +0.104	27.0	20.0
XSM-2528-077	25.0	+0.020 +0.104	28.0	7.7
XSM-2528-09	25.0	+0.020 +0.104	28.0	9.0
XSM-2528-12	25.0	+0.020 +0.104	28.0	12.0
XSM-2528-13	25.0	+0.020 +0.104	28.0	13.0
XSM-2528-15	25.0	+0.020 +0.104	28.0	15.0
XSM-2528-20	25.0	+0.020 +0.104	28.0	20.0
XSM-2528-30	25.0	+0.020 +0.104	28.0	30.0
XSM-2528-35	25.0	+0.020 +0.104	28.0	35.0
XSM-2730-05	27.0	+0.020 +0.104	30.0	5.7
XSM-2832-20	28.0	+0.020 +0.104	32.0	20.0
XSM-2832-30	28.0	+0.020 +0.104	32.0	30.0

Part number	d1	d1-Tolerance*	d2	b1 h13
XSM-2832-69	28.0	+0.020 +0.104	32.0	69.0
XSM-3034-15	30.0	+0.020 +0.104	34.0	15.0
XSM-3034-20	30.0	+0.020 +0.104	34.0	20.0
XSM-3034-25	30.0	+0.020 +0.104	34.0	25.0
XSM-3034-30	30.0	+0.020 +0.104	34.0	30.0
XSM-3034-40	30.0	+0.020 +0.104	34.0	40.0
XSM-3236-25	32.0	+0.025 +0.125	36.0	25.0
XSM-3236-30	32.0	+0.025 +0.125	36.0	30.0
XSM-3236-35	32.0	+0.025 +0.125	36.0	35.0
XSM-3236-54	32.0	+0.025 +0.125	36.0	54.0
XSM-3539-20	35.0	+0.025 +0.125	39.0	20.0
XSM-3539-30	35.0	+0.025 +0.125	39.0	30.0
XSM-3539-40	35.0	+0.025 +0.125	39.0	40.0
XSM-3539-50	35.0	+0.025 +0.125	39.0	50.0
XSM-4044-30	40.0	+0.025 +0.125	44.0	30.0
XSM-4044-40	40.0	+0.025 +0.125	44.0	40.0
XSM-4044-50	40.0	+0.025 +0.125	44.0	50.0
XSM-4550-50	45.0	+0.025 +0.125	50.0	50.0
XSM-5055-30	50.0	+0.025 +0.125	55.0	30.0
XSM-5055-40	50.0	+0.025 +0.125	55.0	40.0
XSM-5055-60	50.0	+0.025 +0.125	55.0	60.0
XSM-5560-50	55.0	+0.030 +0.150	60.0	50.0
XSM-6065-45	60.0	+0.030 +0.150	65.0	45.0
XSM-6065-60	60.0	+0.030 +0.150	65.0	60.0
XSM-6570-50	65.0	+0.030 +0.150	70.0	50.0
XSM-7075-70	70.0	+0.030 +0.150	75.0	70.0

* after pressfit. Testing methods ► page 75



Don't find your size?

Do you need another length, other dimensions or tolerances? You need a particular design or alternative for your application? Please call us. igus® listens to your needs and provides you a solution in a very short time.



Even more dimensions from stock

More than 300 dimensions are now available. Search online for your required bearing.

► www.igus.eu/iglidur-specialbearings