

Contact Lubrication for Chains via Chain Guides

The Wear-resisting Alternative to Brush Lubrication

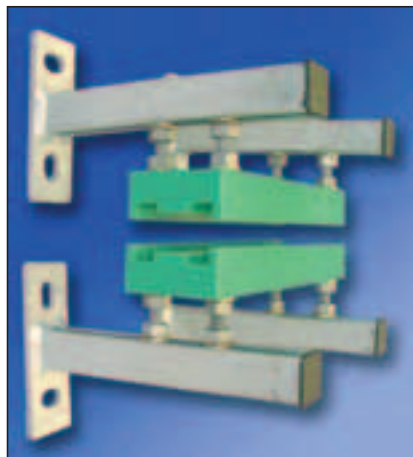


- Chains are cleaned off, supplied with lubricant and guided at the same time
- Long life system thanks to highly wear-resistant polymer-plastics
- Robust and insensitive to contamination and knocks

Contact Lubrication for Chains via Chain Guides

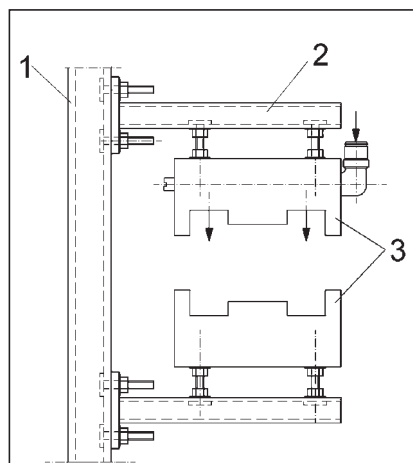
The Wear-resisting Alternative to Brush Lubrication

The main applications for this genuine simple new lubrication system are transport chains of all industries. The system is patent pending. Protection of registered design No. 20210758.2



Chain Guides

For the lubrication of conveyor chains, the contact lubrication newly developed by Lincoln offers essential advantages compared to the conventional brush lubrica-



System Components

1. Mounting rail
2. Console
3. Chain guides for single-roller chains



Chains carried through chain guides

tion. By using a plastic chain guide, the worst of the dirt on the chain is cleaned off and, at the same time, the chain wear is reduced by an automatic and continuous lubricant supply. Additionally, the chain is carried through the chain guides of the lubrication system.

It has been designed especially for chains in pallet conveyor systems, e.g. in the food and beverage industry. These pallet systems are exposed to a high grade of contamination: wood chips, broken glass, and in the winter, ice particles stick to the chain and result in premature wear.

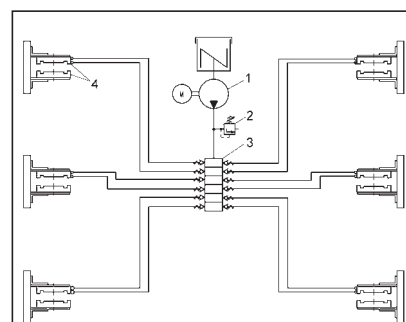
Other applications for a contact lubrication system are passenger or freight elevators as well as escalators.

The Lincoln contact lubrication has an extraordinary long life thanks to highly wear-resistant plastics and is very robust and insensitive to contamination and knocks.

Special features of the contact lubrication via chain guides

- Cleaning effect on the chain – sticking dirt particles are cleaned off
- Suitable for a wide range of roller chains according to DIN 8187 (1/4" single up to 2" double)

- All types of chain lubricants (from low-viscous oil to lubricating grease) can be applied
- Suitable for low and high chain speeds (up to max. 40 m/min)
- Robust and insensitive to contamination and knocks
- Long life due to highly wear-resistant plastics
- Can be supplied with lubricant by any Lincoln centralized lubrication system (progressive system, single-line system, etc.)
- Chain is additionally guided
- Simple and favorable in price



Feeding of lubricant to the chain guides via a progressive system

- 1 – Pump type 203
- 2 – Pressure relief valve
- 3 – Progressive metering device SSV 12
- 4 – Chain guides