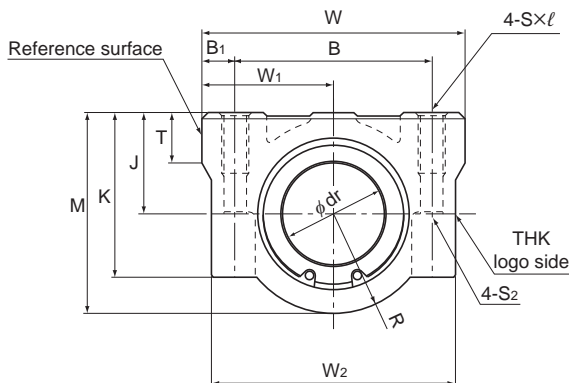


## Models SC35 to 50



Models SC35 to 50

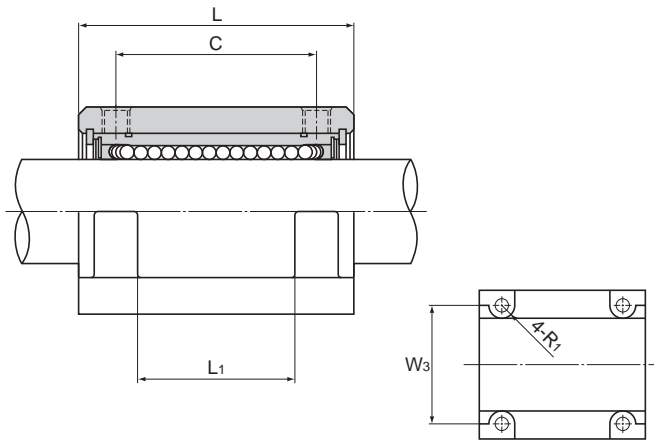
Model No.	Outer dimensions			LM casing dimensions							
	Height M	Width W	Length L	Mounting hole position			Tap S×ℓ	Through bolt model No., S <sub>2</sub>	Center height J ±0.02	W <sub>1</sub> ±0.02	K
				B	B <sub>1</sub>	C					
SC 35UU	68	90	80	70	10	60	M8×18	M6	34	45	54
SC 40UU	78	102	90	80	11	60	M10×25	M8	40	51	62
SC 50UU	102	122	110	100	11	80	M10×25	M8	52	61	80

Note) Since this model contains a synthetic resin retainer, do not use it at temperature exceeding 80°C.

A stainless steel Linear Bushing model LM-MG, which is highly corrosion resistant, can also be incorporated at your request.  
(Model SC50 does not include a stainless type.)

Example of Model Number for Use in Combination with  
Linear Bushing Units

Linear Bushing to be combined	Example of model No.	
Both end attached with seal	SC 40UU	Standard stock
Without seal	SC 40	Build to order
Made of stainless steel; both end attached with seal	SC 40MUU	Build to order



Unit: mm

	W <sub>2</sub>	W <sub>3</sub>	L <sub>1</sub>	T	R	R <sub>1</sub>	Inscribed bore diameter		Model No. of Linear Bushing to be combined	Basic load rating		Unit
							dr	Tolerance		C	C <sub>0</sub>	Mass
										N	N	g
	85	60	42	18	34	5	35	0 -0.012	LM35UU	1670	3140	1100
	96	80	44	20	38	8	40		LM40UU	2160	4020	1600
	116	100	64	25	50	8	50		LM50UU	3820	7940	3350