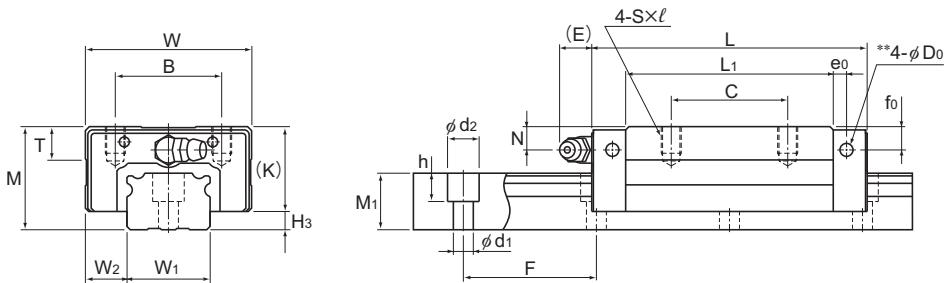


Models NR-R and NR-LR



Model NR-R

Model No.	Outer dimensions			LM block dimensions													Grease nipple	H ₃
	Height	Width	Length	B	C	S × l	L ₁	T	K	N	f ₀	E	e ₀	D ₀				
	M	W	L	B	C	S × l	L ₁	T	K	N	f ₀	E	e ₀	D ₀				
NR 25XR NR 25XLR	31	50	82.8 102	32	35 50	M6 × 8	62.4 81.6	9.7	25.5	7	7	12	4	3.9	B-M6F	5.5		
NR 30R NR 30LR	38	60	98 120.5	40	40 60	M8 × 10	70.9 93.4	9.7	31	7	7	12	5	3.9	B-M6F	7		
NR 35R NR 35LR	44	70	109.5 135	50	50 72	M8 × 12	77.9 103.4	11.7	35	8	8	12	6	5.2	B-M6F	9		
NR 45R NR 45LR	52	86	139 171	60	60 80	M10 × 17	105 137	14.7	40.5	10	8	16	7	5.2	B-PT1/8	11.5		
NR 55R NR 55LR	63	100	162.8 200	65	75 95	M12 × 18	123.6 160.8	17.5	49	11	10	16	8	5.2	B-PT1/8	14		
NR 65R NR 65LR	75	126	185.6 245.6	76	70 110	M16 × 20	143.6 203.6	21.5	60	16	15	16	9	8.2	B-PT1/8	15		
NR 75R NR 75LR	83	145	218 274	95	80 130	M18 × 25	170.2 226.2	25.3	68	18	17	16	9	8.2	B-PT1/8	15		
NR 85R NR 85LR	90	156	246.7 302.8	100	80 140	M18 × 25	194.9 251	27.3	73	20	20	16	10	8.2	B-PT1/8	17		
NR 100R NR 100LR	105	200	286.2 326.2	130	150 200	M18 × 27	223.4 263.4	34.3	85	23	23	10	12	8.2	B-PT1/4	20		

Model number coding

NR35 LR 2 QZ KKHH C0 +1240L P Z T - II

Model number

Type of LM block

With QZ Lubricator

Contamination protection accessory symbol (*1)

LM rail length (in mm)

Symbol for LM rail jointed use

Symbol for No. of rails used on the same plane (*5)

No. of LM blocks used on the same rail

Radial clearance symbol (*2)
Normal (No symbol)
Light preload (C1)
Medium preload (C0)

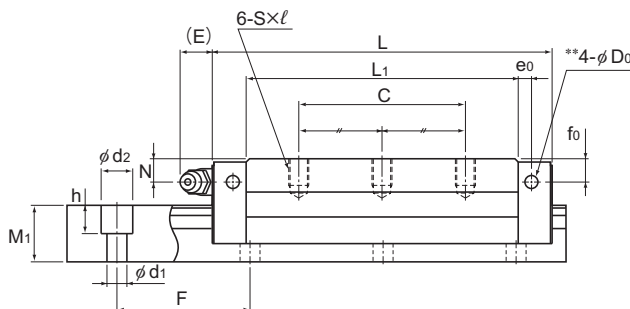
With plate cover or steel tape (*4)
Accuracy symbol (*3)
Normal grade (No Symbol)/High accuracy grade (H)
Precision grade (P)/Super precision grade (SP)
Ultra precision grade (UP)

(*1) See contamination protection accessory on **A1-510** (*2) See **A1-70**. (*3) See **A1-77**.

(*4) Specify the plate cover or the steel tape. (*5) See **A1-13**.

Note) This model number indicates that a single-rail unit constitutes one set. (i.e., required number of sets when 2 rails are used in parallel is 2 at a minimum.)

Those models equipped with QZ Lubricator cannot have a grease nipple.



Model NR-LR

Unit: mm

LM rail dimensions						Basic load rating		Static permissible moment kN·m*					Mass	
Width W ₁ 0 -0.05	Height M ₁	Pitch F	Length* Max	d ₁ × d ₂ × h	C	C ₀	M _A		M _B		M _C	LM block	LM rail	
							1 block	Double blocks	1 block	Double blocks	1 block	kg	kg/m	
25	12.5	17	40	6 × 9.5 × 8.5	2500	33 44	84.6 113	0.771 1.26	3.86 6.29	0.469 0.775	2.33 3.82	0.91 1.21	0.43 0.55	3.1
28	16	21	80	7 × 11 × 9	3000	48.7 64.9	122 162	1.26 2.18	6.63 10.6	0.778 1.33	4.05 6.47	1.47 1.95	0.74 1	4.3
34	18	24.5	80	9 × 14 × 12	3000	63.1 85.7	155 210	1.75 3.14	9.47 15.5	1.08 1.92	5.8 9.43	2.24 3.03	1.1 1.4	6.2
45	20.5	29	105	14 × 20 × 17	3090	96 126	231 303	3.37 5.93	17.7 28	2.07 3.59	10.8 16.9	4.45 5.82	2 2.8	9.8
53	23.5	36.5	120	16 × 23 × 20	3060	131 170	310 402	5.39 8.87	27.8 43.8	3.3 5.41	16.9 26.6	6.98 9.05	3.3 4.3	14.5
63	31.5	43	150	18 × 26 × 22	3000	189 260	436 600	8.76 16.8	44.7 79.9	5.39 10.1	27.3 48	11.6 15.9	6 8.7	20.3
75	35	44	150	22 × 32 × 26	3000	271 355	610 800	14.4 25.4	73.3 118	8.91 15.4	44.7 71.4	19.3 25.2	8.7 11.6	24.6
85	35.5	48	180	24 × 35 × 28	3000	336 435	751 972	20.3 34.7	102 160	12.4 21	62.6 96.2	26.8 34.6	12.3 15.8	30.5
100	50	57	210	26 × 39 × 32	2500	479 599	1040 1300	34 47.3	167 238	20.7 29.2	101 146	43.4 54.6	21.8 26.1	42.6

Note) Pilot holes for side nipples** are not drilled through in order to prevent foreign material from entering the product. THK will mount grease nipples per your request. Therefore, do not use the side nipple pilot holes** for purposes other than mounting a grease nipple.

The maximum length under "Length*" indicates the standard maximum length of an LM rail. (See **A1-238**.)

Static permissible moment*: 1 block: static permissible moment value with 1 LM block

Double blocks: static permissible moment value with 2 blocks closely contacting with each other