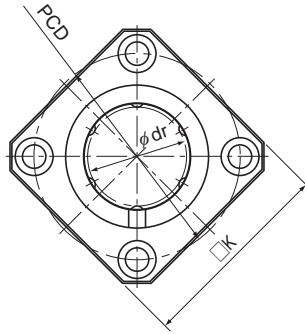


Model LMK



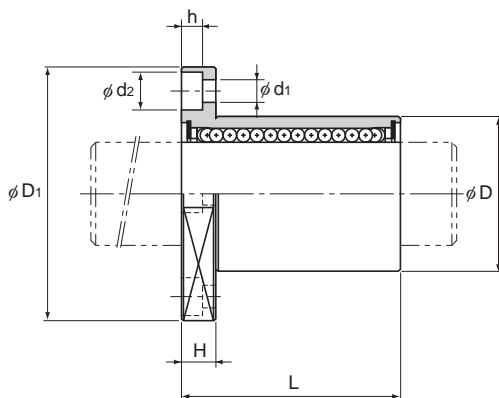
Model LMK

Model No.	Ball rows	Main dimensions							
		Inscribed bore diameter		Outer diameter		Length		Flange diameter	
		dr	Tolerance	D	Tolerance	L	Tolerance	D _i	Tolerance
LMK 6	4	6	0 -0.009	12	0 -0.011	19	0 -0.2	28	0 -0.2
LMK 8S	4	8		15		17		32	
LMK 8	4	8		15		24		32	
LMK 10	4	10		19	29	39			
LMK 12	4	12		21	30	42			
LMK 13	4	13		23	32	43			
LMK 16	5	16		28	37	48			
LMK 20	5	20		32	42	54			
LMK 25	6	25		40	59	62			
LMK 30	6	30		45	64	74			
LMK 35	6	35	52	70	82				
LMK 40	6	40	60	80	96				
LMK 50	6	50	80	100	116				
LMK 60	6	60	90	110	134				

Note) Since this model contains a synthetic resin retainer, do not use it at temperature exceeding 80°C.
If requiring a type equipped with a seal, indicate it when placing an order.

(Example) LMK13 UJ

_____ Seal attached on both ends of the nut



Unit: mm

	K	H	PCD	Mounting hole $d_1 \times d_2 \times h$	Flange perpendicularity	Eccentricity (max)	Radial clearance tolerance	Basic load rating		Mass g
					μm	μm	μm	C N	C_0 N	
	22	5	20	$3.4 \times 6.5 \times 3.3$	12	12	-5	206	265	18.5
	25	5	24	$3.4 \times 6.5 \times 3.3$	12	12	-5	176	225	23
	25	5	24	$3.4 \times 6.5 \times 3.3$	12	12	-5	265	402	29
	30	6	29	$4.5 \times 8 \times 4.4$	12	12	-5	373	549	61
	32	6	32	$4.5 \times 8 \times 4.4$	12	12	-5	412	598	56
	34	6	33	$4.5 \times 8 \times 4.4$	12	12	-7	510	775	75
	37	6	38	$4.5 \times 8 \times 4.4$	12	12	-7	775	1180	104
	42	8	43	$5.5 \times 9.2 \times 5.4$	15	15	-9	863	1370	145
	50	8	51	$5.5 \times 9.2 \times 5.4$	15	15	-9	980	1570	300
	58	10	60	$6.6 \times 11 \times 6.5$	15	15	-9	1570	2750	375
	64	10	67	$6.6 \times 11 \times 6.5$	20	20	-13	1670	3140	692
	75	13	78	$9 \times 14 \times 8.6$	20	20	-13	2160	4020	864
	92	13	98	$9 \times 14 \times 8.6$	20	20	-13	3820	7940	2020
	106	18	112	$11 \times 17.5 \times 10.8$	25	25	-13	4710	10000	2520