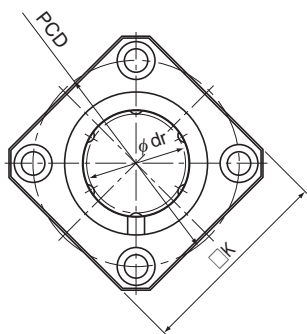


Model LMK-M (Stainless Steel Type)



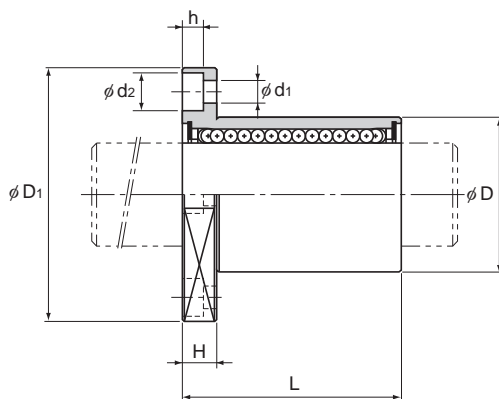
Model LMK-M

Model No.	Ball rows	Main dimensions							
		Inscribed bore diameter		Outer diameter		Length		Flange diameter	
		dr	Tolerance	D	Tolerance	L	Tolerance	D _i	Tolerance
LMK 6M	4	6	0 -0.009	12	0 -0.011	19	0 -0.2	28	0 -0.2
LMK 8SM	4	8		15		17		32	
LMK 8M	4	8		15	24	32			
LMK 10M	4	10		19	29	39			
LMK 12M	4	12	21	0 -0.013	30	42			
LMK 13M	4	13	23	32	43				
LMK 16M	5	16	28	37	48				
LMK 20M	5	20	32	0 -0.016	42	54			
LMK 25M	6	25	40	59	0	62			
LMK 30M	6	30	45	64	-0.3	74			

Note) Since this model contains a synthetic resin retainer, do not use it at temperature exceeding 80°C.
If requiring a type equipped with a seal, indicate it when placing an order.

(Example) LMK25M UU

└── Seal attached on both ends of the nut



Unit: mm

	K	H	PCD	Mounting hole $d_1 \times d_2 \times h$	Flange perpendicularity	Eccentricity (max)	Radial clearance tolerance	Basic load rating		Mass g
					μm	μm	μm	C N	C_0 N	
	22	5	20	$3.4 \times 6.5 \times 3.3$	12	12	-5	206	265	18.5
	25	5	24	$3.4 \times 6.5 \times 3.3$	12	12	-5	176	225	23
	25	5	24	$3.4 \times 6.5 \times 3.3$	12	12	-5	265	402	29
	30	6	29	$4.5 \times 8 \times 4.4$	12	12	-5	373	549	61
	32	6	32	$4.5 \times 8 \times 4.4$	12	12	-5	412	598	56
	34	6	33	$4.5 \times 8 \times 4.4$	12	12	-7	510	775	75
	37	6	38	$4.5 \times 8 \times 4.4$	12	12	-7	775	1180	104
	42	8	43	$5.5 \times 9.2 \times 5.4$	15	15	-9	863	1370	145
	50	8	51	$5.5 \times 9.2 \times 5.4$	15	15	-9	980	1570	300
	58	10	60	$6.6 \times 11 \times 6.5$	15	15	-9	1570	2750	375

Note) Since the nut and the balls use stainless steel, these models are highly resistant to corrosion and environment.