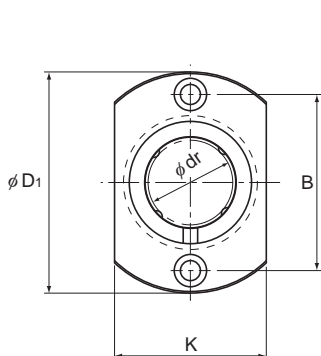
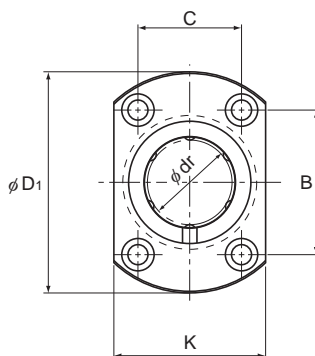


Model LMH



Models LMH6 to 13



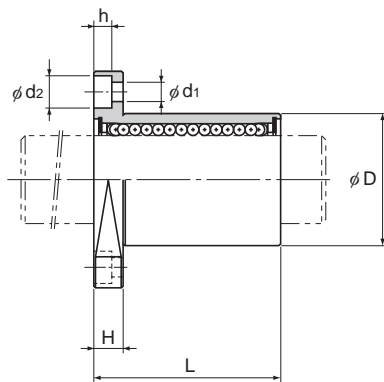
Models LMH16 to 30

Model No.	Ball rows	Main dimensions							
		Inscribed bore diameter		Outer diameter		Length		Flange diameter	
Standard type		dr	Tolerance	D	Tolerance	L	Tolerance	D ₁	Tolerance
LMH 6	4	6	0 -0.009	12	0	19	0 -0.2	28	0 -0.2
LMH 8	4	8		15	-0.011	24		32	
LMH 10	4	10		19	0	29		39	
LMH 12	4	12		21	0	30		42	
LMH 13	4	13	23	-0.013	32	43			
LMH 16	5	16	28	0	37	48			
LMH 20	5	20	32	0	42	54			
LMH 25	6	25	40	-0.016	59	0	62		
LMH 30	6	30	45	-0.016	64	-0.3	74		

Note) Since this model contains a synthetic resin retainer, do not use it at temperature exceeding 80°C.
If requiring a type equipped with a seal, indicate it when placing an order.

(Example) LMH16 UU

└─── Seal attached on both ends of the nut



Unit: mm

	K	H	B	C	Mounting hole d ₁ × d ₂ × h	Flange perpendicularity μm	Eccentricity (max) μm	Radial clearance tolerance μm	Basic load rating		Mass g
									C N	C ₀ N	
	18	5	20	—	3.4 × 6.5 × 3.3	12	12	-5	206	265	18
	21	5	24	—	3.4 × 6.5 × 3.3	12	12	-5	265	402	28
	25	6	29	—	4.5 × 8 × 4.4	12	12	-5	373	549	50
	27	6	32	—	4.5 × 8 × 4.4	12	12	-5	412	598	55
	29	6	33	—	4.5 × 8 × 4.4	12	12	-7	510	775	70
	34	6	31	22	4.5 × 8 × 4.4	12	12	-7	775	1180	95
	38	8	36	24	5.5 × 9.2 × 5.4	15	15	-9	863	1370	150
	46	8	40	32	5.5 × 9.2 × 5.4	15	15	-9	980	1570	275
	51	10	49	35	6.6 × 11 × 6.5	15	15	-9	1570	2750	350