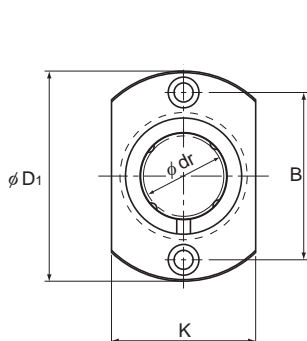
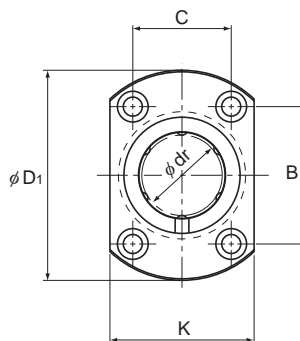


# Model LMH-L



Models LMH6L to 13L



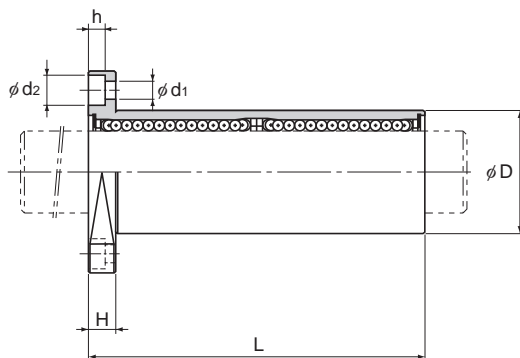
Models LMH16L to 30L

Model No.	Ball rows	Main dimensions							
		Inscribed bore diameter		Outer diameter		Length		Flange diameter	
Standard type		dr	Tolerance	D	Tolerance	L	Tolerance	D <sub>1</sub>	Tolerance
LMH 6L	4	6	0 -0.010	12	0	35	0 -0.3	28	0 -0.2
LMH 8L	4	8		15	-0.013	45		32	
LMH 10L	4	10		19	55	39			
LMH 12L	4	12		21	0	57		42	
LMH 13L	4	13		23	-0.016	61		43	
LMH 16L	5	16	28	70	48				
LMH 20L	5	20	32	0	80	54			
LMH 25L	6	25	40	0 -0.019	112	0	62		
LMH 30L	6	30	45		123	-0.4	74		

Note) Since this model contains a synthetic resin retainer, do not use it at temperature exceeding 80°C.  
If requiring a type equipped with a seal, indicate it when placing an order.

(Example) LMH20L UU

Seal attached on both ends of the nut



Unit: mm

	K	H	B	C	Mounting hole $d_1 \times d_2 \times h$	Flange perpendicularity	Eccentricity (max)	Radial clearance tolerance	Basic load rating		Mass g
						$\mu\text{m}$	$\mu\text{m}$	$\mu\text{m}$	C N	$C_0$ N	
	18	5	20	—	$3.4 \times 6.5 \times 3.3$	15	15	-5	324	529	28
	21	5	24	—	$3.4 \times 6.5 \times 3.3$	15	15	-5	431	784	40
	25	6	29	—	$4.5 \times 8 \times 4.4$	15	15	-5	588	1100	75
	27	6	32	—	$4.5 \times 8 \times 4.4$	15	15	-5	657	1200	82
	29	6	33	—	$4.5 \times 8 \times 4.4$	15	15	-7	814	1570	107
	34	6	31	22	$4.5 \times 8 \times 4.4$	15	15	-7	1230	2350	143
	38	8	36	24	$5.5 \times 9.2 \times 5.4$	20	20	-9	1400	2750	225
	46	8	40	32	$5.5 \times 9.2 \times 5.4$	20	20	-9	1560	3140	450
	51	10	49	35	$6.6 \times 11 \times 6.5$	20	20	-9	2490	5490	575