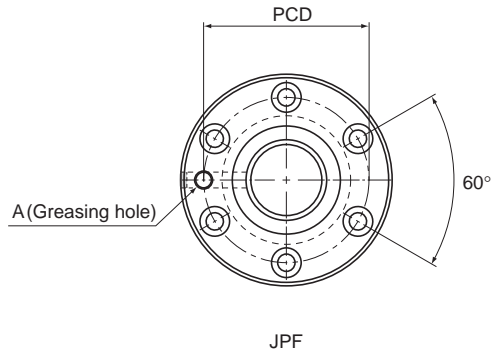


Preload Type of Rolled Ball Screw

Screw shaft outer diameter	14 to 40
Lead	4 to 10

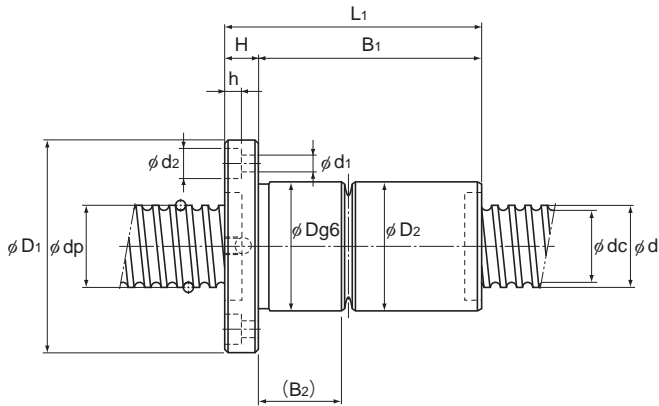


Screw shaft outer diameter d	Lead Ph	Model No.	Ball center-to-center diameter dp	Thread minor diameter dc	No. of loaded circuits Rows × turns	Basic load rating		Outer diameter D
						Ca kN	C _{0a} kN	
14	4	JPF 1404-4	14.4	11.5	2 × 1	2.8	5.1	26
	5	JPF 1405-4	14.5	11.2	2 × 1	3.9	8.6	26
16	5	JPF 1605-4	16.75	13.5	2 × 1	3.7	8.2	30
20	5	JPF 2005-6	20.5	17.2	3 × 1	6	16	34
25	5	JPF 2505-6	25.5	22.2	3 × 1	6.9	20.8	40
	10	JPF 2510-4	26.8	20.2	2 × 1	11.4	24.5	47
28	5	JPF 2805-6	28.75	25.2	3 × 1	7.3	23.9	43
	6	JPF 2806-6	28.5	25.2	3 × 1	7.3	23.9	43
32	10	JPF 3210-6	33.75	27.2	3 × 1	19.3	49.9	54
36	10	JPF 3610-6	37	30.5	3 × 1	20.6	56.2	58
40	10	JPF 4010-6	41.75	35.2	3 × 1	22.2	65.3	62

Note) The ball screw nut and the screw shaft of model JPF are not sold separately.

The basic load rating corresponds to the recommended loading direction.

If a load is applied in the opposite direction, the value must be 0.1 x Ca or less during use (see [A15-284](#)).



JPF

Unit: mm

Nut dimensions										Screw shaft inertial moment/mm ⁴	Nut mass kg	Shaft mass kg/m
Flange diameter	Outer diameter	Overall length	H	B ₁	B ₂	PCD	d ₁ × d ₂ × h	Greasing hole	A			
D ₁	D ₂	L ₁								kg·cm ² /mm		
46	25.5	52	10	42	16.5	36	4.5 × 8 × 4.5	M6		2.96 × 10 ⁻⁴	0.22	1.0
46	25	60	10	50	20	36	4.5 × 8 × 4.5	M6		2.96 × 10 ⁻⁴	0.24	0.99
49	29.5	60	10	50	19.5	39	4.5 × 8 × 4.5	M6		5.05 × 10 ⁻⁴	0.3	1.34
57	33.5	80	11	69	26.5	45	5.5 × 9.5 × 5.5	M6		1.23 × 10 ⁻³	0.46	2.15
66	39.5	80	11	69	26	51	5.5 × 9.5 × 5.5	M6		3.01 × 10 ⁻³	0.6	3.45
72	46.5	112	12	100	42	58	6.6 × 11 × 6.5	M6		3.01 × 10 ⁻³	1.2	3.26
69	42.5	80	12	68	25	55	6.6 × 11 × 6.5	M6		4.74 × 10 ⁻³	0.66	4.27
69	42.5	90	12	78	35	55	6.6 × 11 × 6.5	M6		4.74 × 10 ⁻³	0.72	4.44
88	53.5	135	15	120	53.5	70	9 × 14 × 8.5	M6		8.08 × 10 ⁻³	1.84	5.49
98	57.5	138	18	120	53.5	77	11 × 17.5 × 11	M6		1.29 × 10 ⁻²	2.22	6.91
104	61.5	138	18	120	53.5	82	11 × 17.5 × 11	PT 1/8		1.97 × 10 ⁻²	2.42	8.81