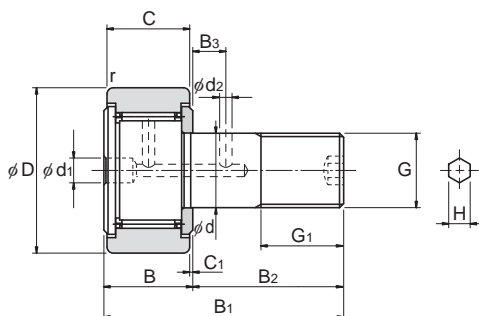


Model CF-B (Cam Follower with Hexagon Socket (Cylindrical Outer Ring)), Model CF-M-B (Made of Stainless Steel)
 Model CF-R-B (Cam Follower with Hexagon Socket (Spherical Outer Ring)), Model CF-MR-B (Made of Stainless Steel)

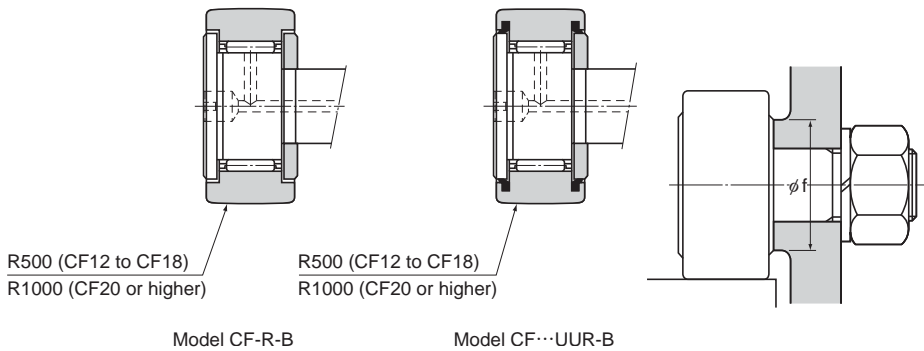


Stud diameter d	Model No.	Main dimensions													
		Outer diameter D	Outer ring width C	Threaded G	G ₁	B	Overall length B ₁	B ₂	B ₃	C ₁	d ₁	d ₂	H*	r _{min}	Shoulder height f (Min.)
12	CF 12-B	30	14	M12×1.5	13	15	40	25	6	0.6	6	3	6	0.6	20
12	CF 12-1-B	32	14	M12×1.5	13	15	40	25	6	0.6	6	3	6	0.6	20
16	CF 16-B	35	18	M16×1.5	17	19.5	52	32.5	8	0.8	6	3	6	0.6	24
18	CF 18-B	40	20	M18×1.5	19	21.5	58	36.5	8	0.8	6	3	6	1	26
20	CF 20-B	52	24	M20×1.5	21	25.5	66	40.5	9	0.8	8	4	8	1	36
20	CF 20-1-B	47	24	M20×1.5	21	25.5	66	40.5	9	0.8	8	4	8	1	36
24	CF 24-B	62	29	M24×1.5	25	30.5	80	49.5	11	0.8	8	4	8	1	40
24	CF 24-1-B	72	29	M24×1.5	25	30.5	80	49.5	11	0.8	8	4	8	1	40
30	CF 30-B	80	35	M30×1.5	32	37	100	63	15	1	8	4	8	1	46
30	CF 30-1-B	85	35	M30×1.5	32	37	100	63	15	1	8	4	8	1	46
30	CF 30-2-B	90	35	M30×1.5	32	37	100	63	15	1	8	4	8	1	46

Model number coding

CF12	V	M	UU	R	-B
Model number				Stud with a hexagon socket	
No symbol: With cage				No Symbol : Cylindrical outer ring	
V : Full-roller Type				R : Spherical outer ring	
No symbol: Carbon steel				no symbol: without seal	
M : Stainless steel				UU : With seal	

Note) Full-roller Type is applicable for Stud Diameter 12 to 30.



Unit: mm

	Basic load rating				Maximum permissible load F_0 kN	Track load capacity		Rotational speed limit *		Mass	
	With cage		Full rollers			Cylindrical outer ring kN	Spherical outer ring kN	With cage min^{-1}	Full rollers min^{-1}	With cage g	Full rollers g
	C kN	C_0 kN	C kN	C_0 kN							
	7.87	9.79	13.4	19.8	9.37	7.06	2.45	14000	5800	95	97
	7.87	9.79	13.4	19.8	9.37	7.45	2.74	14000	5800	105	107
	12	18.3	20.6	37.6	17.3	11.2	3.14	10000	4500	170	173
	14.7	25.2	25.2	51.3	26.1	14.4	3.72	8500	3800	250	255
	20.7	34.8	33.2	64.8	32.1	23.2	8.23	7000	3400	460	465
	20.7	34.8	33.2	64.8	32.1	21	7.15	7000	3400	385	390
	30.6	53.2	46.7	92.9	49.5	34.2	10.5	6500	2900	815	820
	30.6	53.2	46.7	92.9	49.5	39.8	12.9	6500	2900	1140	1140
	45.4	87.6	67.6	145	73.7	52.6	14.9	5000	2300	1870	1870
	45.4	87.6	67.6	145	73.7	56	16.1	5000	2300	2030	2030
	45.4	87.6	67.6	145	73.7	59.3	17.3	5000	2300	2220	2220

Note) ★ indicates that the dimensions in the parentheses in this row apply to stainless steel types.

The rotation speed limit value in the table (*) applies to models that have no seal and use grease lubrication. With those models using oil lubrication, up to 130% of this value is permitted. With those attached with seals, up to 70% of this value is permitted.