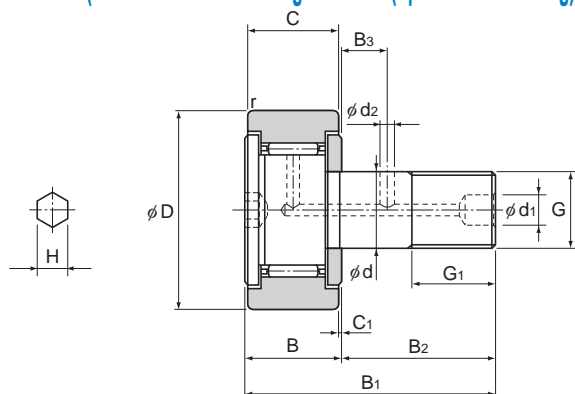
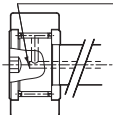


Model CF-A (Cam Follower with Hexagon Socket (Cylindrical Outer Ring)), Model CF-M-A (Stainless Steel Type)
 Model CF-R-A (Cam Follower with Hexagon Socket (Spherical Outer Ring)), Model CF-MR-A (Stainless Steel Type)

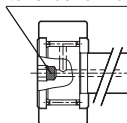


Oil hole is a blind hole



CF12A to 20-1A
 CF12AM to 30-2AM

Plug pressed into hexagon socket
 to render oil hole as a blind hole



CF24A to CF30-2A

Stud diameter d	Model No.	Main dimensions													
		Outer diameter D	Outer ring width C	Threaded G	G ₁	B	B ₁	B ₂	B ₃	C ₁	d ₁	d ₂	H*	r _{min}	Shoulder height f (Min.)
3	CF 3-A	10	7	M3×0.5	5	8	17	9	—	0.5	—*	—	2(1.5)	0.2	6.8
4	CF 4-A	12	8	M4×0.7	6	9	20	11	—	0.5	—*	—	2.5(2)	0.3	8.6
5	CF 5-A	13	9	M5×0.8	7.5	10	23	13	—	0.5	—*	—	3(2.5)	0.3	9.7
6	CF 6-A	16	11	M6×1	8	12	28	16	—	0.6	—*	—	3	0.3	11
8	CF 8-A	19	11	M8×1.25	10	12	32	20	—	0.6	—*	—	4	0.3	13
10	CF 10-A	22	12	M10×1.25	12	13	36	23	—	0.6	—*	—	5	0.3	15
10	CF 10-1-A	26	12	M10×1.25	12	13	36	23	—	0.6	—*	—	5	0.3	15
12	CF 12-A	30	14	M12×1.5	13	15	40	25	6	0.6	6	3	6	0.6	20
12	CF 12-1-A	32	14	M12×1.5	13	15	40	25	6	0.6	6	3	6	0.6	20
16	CF 16-A	35	18	M16×1.5	17	19.5	52	32.5	8	0.8	6	3	6	0.6	24
18	CF 18-A	40	20	M18×1.5	19	21.5	58	36.5	8	0.8	6	3	6	1	26
20	CF 20-A	52	24	M20×1.5	21	25.5	66	40.5	9	0.8	8	4	8	1	36
20	CF 20-1-A	47	24	M20×1.5	21	25.5	66	40.5	9	0.8	8	4	8	1	36
24	CF 24-A	62	29	M24×1.5	25	30.5	80	49.5	11	0.8	8	4	8	1	40
24	CF 24-1-A	72	29	M24×1.5	25	30.5	80	49.5	11	0.8	8	4	8	1	40
30	CF 30-A	80	35	M30×1.5	32	37	100	63	15	1	8	4	8	1	46
30	CF 30-1-A	85	35	M30×1.5	32	37	100	63	15	1	8	4	8	1	46
30	CF 30-2-A	90	35	M30×1.5	32	37	100	63	15	1	8	4	8	1	46

Note) The seal must be used at temperature of 80°C or below.

Those models marked with "*" do not have a greasing hole and cannot be replenished with grease.

Model number coding

CF12 V M UU R -A N

Model number

No symbol: With cage

V : Full-roller Type

No symbol: Carbon steel

M : Stainless steel

no symbol: without seal

UU : With seal

No Symbol: Cylindrical outer ring

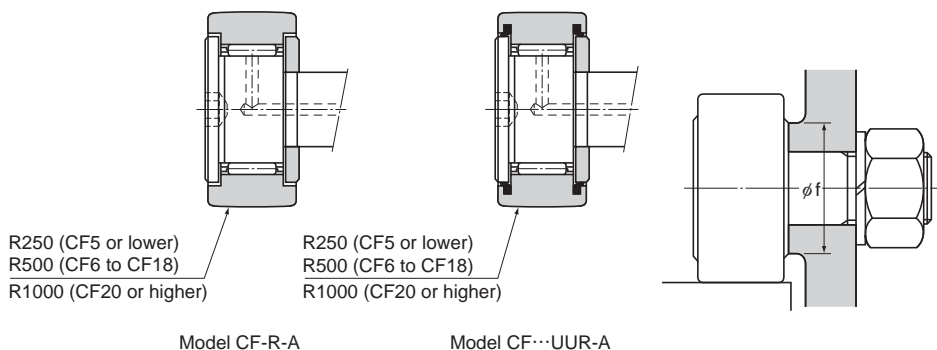
R : Spherical outer ring

No symbol: Standard accessories (see **A19-30**)

N : Dedicated grease nipple (see **A19-30**)

Stud with a hexagon socket

Note) Full-roller Type is applicable for Stud Diameter 6 to 30.



Unit: mm

	Basic load rating				Maximum permissible load F ₀ kN	Track load capacity		Rotational speed limit *		Mass	
	With cage		Full rollers			Cylindrical outer ring kN	Spherical outer ring kN	With cage min ⁻¹	Full rollers min ⁻¹	With cage g	Full rollers g
	C kN	C ₀ kN	C kN	C ₀ kN							
	1.47	1.18	—	—	0.36	1.37	0.37	47000	—	4.5	—
	2.06	2.05	—	—	0.78	1.76	0.47	37000	—	7.5	—
	3.14	2.77	—	—	1.42	2.25	0.53	29000	—	10.5	—
	3.59	3.58	6.94	8.5	2.11	3.43	1.08	25000	11000	18.5	19
	4.17	4.65	8.13	11.2	4.73	4.02	1.37	20000	8700	28.5	29
	5.33	6.78	9.42	14.3	5.81	4.7	1.67	17000	7200	45	46
	5.33	6.78	9.42	14.3	5.81	5.49	2.06	17000	7200	60	61
	7.87	9.79	13.4	19.8	9.37	7.06	2.45	14000	5800	95	97
	7.87	9.79	13.4	19.8	9.37	7.45	2.74	14000	5800	105	107
	12	18.3	20.6	37.6	17.3	11.2	3.14	10000	4500	170	173
	14.7	25.2	25.2	51.3	26.1	14.4	3.72	8500	3800	250	255
	20.7	34.8	33.2	64.8	32.1	23.2	8.23	7000	3400	460	465
	20.7	34.8	33.2	64.8	32.1	21	7.15	7000	3400	385	390
	30.6	53.2	46.7	92.9	49.5	34.2	10.5	6500	2900	815	820
	30.6	53.2	46.7	92.9	49.5	39.8	12.9	6500	2900	1140	1140
	45.4	87.6	67.6	145	73.7	52.6	14.9	5000	2300	1870	1870
	45.4	87.6	67.6	145	73.7	56	16.1	5000	2300	2030	2030
	45.4	87.6	67.6	145	73.7	59.3	17.3	5000	2300	2220	2220

Note) ★ indicates that the dimensions in the parentheses in this row apply to stainless steel types.

The rotation speed limit value in the table (*) applies to models that have no seal and use grease lubrication. With those models using oil lubrication, up to 130% of this value is permitted. With those attached with seals, up to 70% of this value is permitted.

Note) CF24 or larger cam followers with hexagon sockets (symbol - A, excluding SUS models) are constructed with a plug fitted into the through hole that links the hexagon socket to the greasing hole (see dimensional drawing $\phi d_1, \phi d_2$: **A19-14**) to prevent grease leakages from the hexagon socket.

During greasing, take care to ensure that the plug is not forced out of the hexagon socket by excessive pressure.