



...E4.48L
crossbars every link

...R4.48L
fully enclosed

e-chains® | E4.48L crossbars every link (crossbars snap-open along the inner and outer radius on both sides)
e-tubes | R4.48L fully enclosed (lids snap-open along the inner and outer radius on both sides)

Part No. e-chains®	Part No. e-tubes	<i>Bi</i> [mm]	<i>Ba</i> [mm]	E4.48L [kg/m]	R4.48L [kg/m]	Part No. e-chains®	Part No. e-tubes	<i>Bi</i> [mm]	<i>Ba</i> [mm]	E4.48L [kg/m]	R4.48L [kg/m]
E4.48L.050.R.0	R4.48L.050.R.0**	50	70	≈ 1,53	≈ 1,64	E4.48L.225.R.0**	–	225	245	≈ 2,24	–
E4.48L.062.R.0	R4.48L.062.R.0	62,5	82,5	≈ 1,58	–	E4.48L.237.R.0**	–	237,5	257,5	≈ 2,30	–
E4.48L.075.R.0	R4.48L.075.R.0	75	95	≈ 1,64	≈ 1,82	E4.48L.250.R.0	R4.48L.250.R.0**	250	270	≈ 2,35	≈ 3,08
E4.48L.087.R.0	R4.48L.087.R.0**	87,5	107,5	≈ 1,67	≈ 1,91	E4.48L.262.R.0**	–	262,5	282,5	≈ 2,39	–
E4.48L.100.R.0	R4.48L.100.R.0	100	120	≈ 1,73	≈ 2,01	E4.48L.275.R.0**	–	275	295	≈ 2,45	–
E4.48L.105.R.0	–	105	125	≈ 1,74	–	E4.48L.287.R.0**	–	287,5	307,5	≈ 2,51	–
E4.48L.112.R.0	–	112,5	132,5	≈ 1,79	–	E4.48L.300.R.0**	R4.48L.300.R.0**	300	320	≈ 2,56	≈ 3,42
E4.48L.125.R.0	R4.48L.125.R.0	125	145	≈ 1,84	≈ 2,18	E4.48L.312.R.0**	–	312,5	332,5	≈ 2,60	–
E4.48L.137.R.0	–	137,5	157,5	≈ 1,88	–	E4.48L.325.R.0**	–	325	345	≈ 2,66	–
E4.48L.150.R.0	R4.48L.150.R.0**	150	170	≈ 1,97	≈ 2,36	E4.48L.337.R.0**	–	337,5	357,5	≈ 2,72	–
E4.48L.162.R.0	–	162,5	182,5	≈ 2,00	–	E4.48L.350.R.0**	–	350	370	≈ 2,74	–
E4.48L.175.R.0	R4.48L.175.R.0	175	195	≈ 2,04	≈ 2,58	E4.48L.362.R.0**	–	362,5	382,5	≈ 2,77	–
E4.48L.187.R.0**	–	187,5	207,5	≈ 2,09	–	E4.48L.375.R.0**	–	375	395	≈ 2,81	–
E4.48L.200.R.0	R4.48L.200.R.0	200	220	≈ 2,14	≈ 2,70	E4.48L.387.R.0**	–	387,5	407,5	≈ 2,90	–
E4.48L.212.R.0**	–	212,5	232,5	≈ 2,18	–	E4.48L.400.R.0**	–	400	420	≈ 2,96	–

**Width available upon request, please consult igus® for delivery time! 1) Radius not available for e-tubes

Available bend radii *R* [mm] 075¹⁾ | 100¹⁾ | 125 | 150 | 175 | 200 | 250 | 300 | 350 |

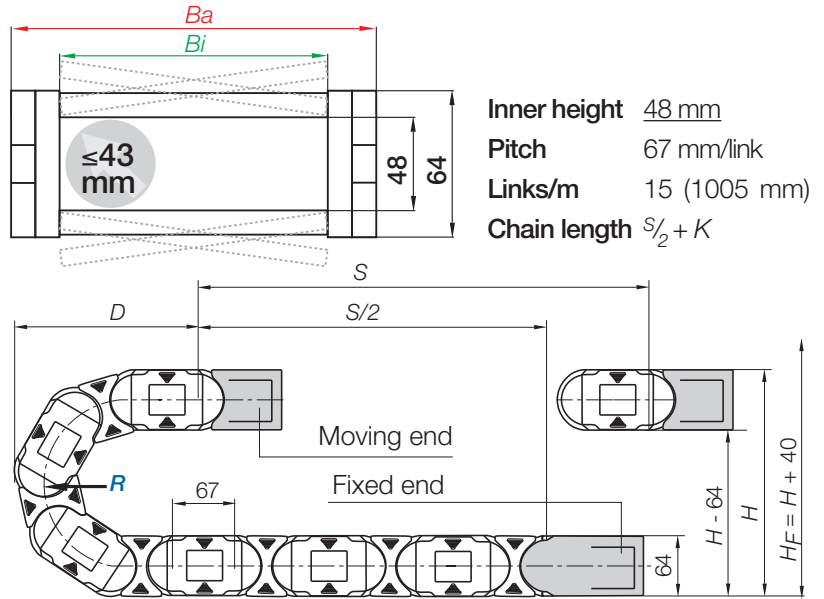
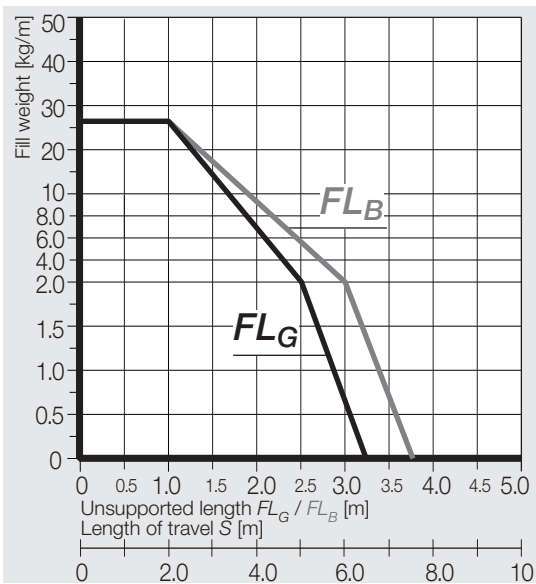
Supplement Part No. with required radius (*R*). Examples:

E4.48L.175.150.0 = e-chain® with inner width *Bi* 175 mm, radius *R* 150 mm, colour black

R4.48L.175.150.0 = e-tube fully enclosed with inner width *Bi* 175 mm, radius *R* 150 mm, colour black



Unsupported applications | Short travels

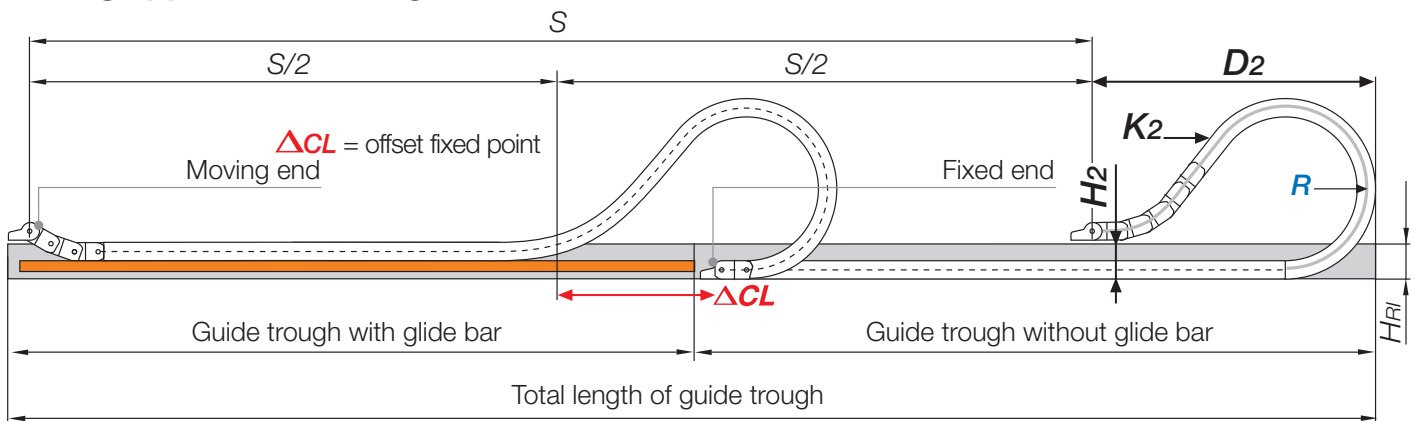


R	075 ¹⁾	100 ¹⁾	125	150	175	200	250	300	350
H	214	264	314	364	414	464	564	664	764
D	208	233	258	283	308	333	383	433	483
K	370	450	530	610	685	765	920	1080	1235

The required clearance height: $H_F = H + 40$ mm (with 2,5 kg/m fill weight)

1) Radius not available for e-tubes

Gliding applications | Long travels from 10 m to max. 100 m



Note: for long travel (gliding) applications, please consult igus®.

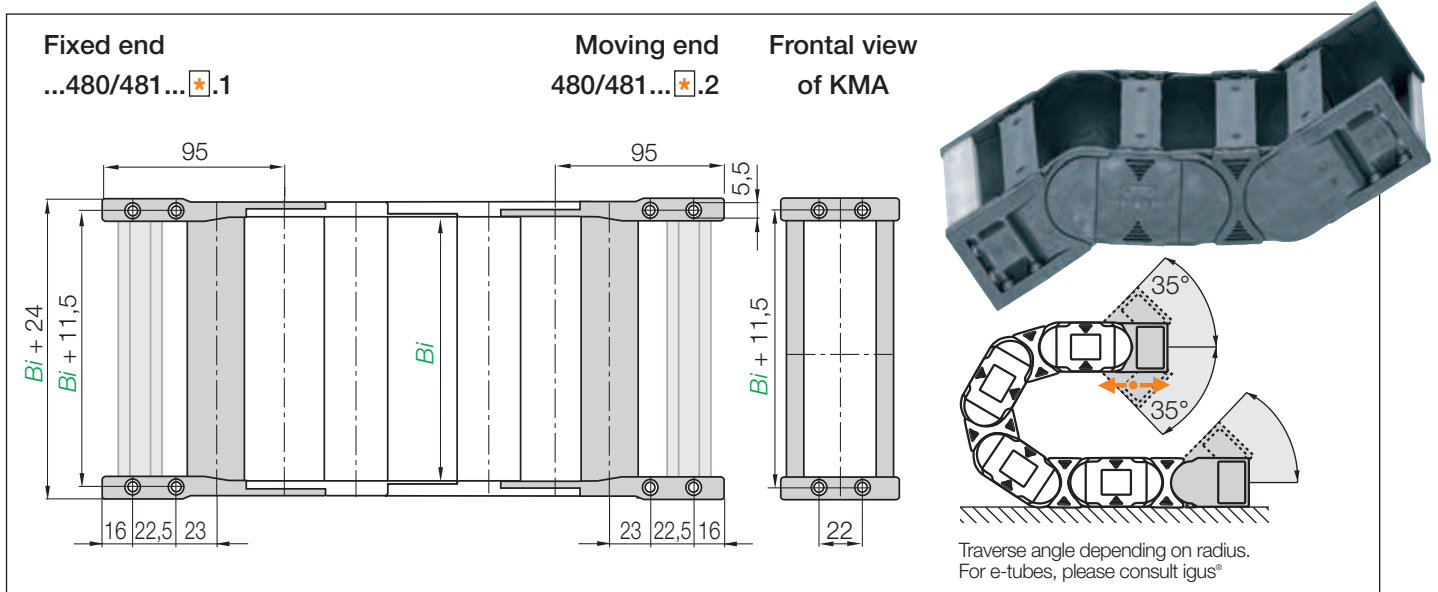
In case of travels between 5 and 10 m we recommend a longer unsupported length. Chain length $S/2 + K_2$

R	075 ¹⁾	100 ¹⁾	125	150	175	200	250	300 ²⁾	350 ²⁾
H ₂	*	*	106	106	106	106	106	-	-
D ₂	*	*	475	570	670	780	1030	-	-
K ₂	*	*	804	938	1139	1340	1675	-	-
ΔCL	*	*	230	300	380	460	660	-	-

1) Radius not available for e-tubes 2) Radius not suitable for long travel applications. Please consult igus® *Values such as unsupported applications

E4.1 light | Series E4.48L·R4.48L | Accessories

KMA mounting brackets | Attachment from any side | Pivoting



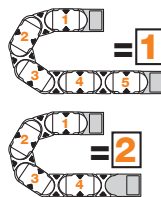
KMA pivoting | Recommended for unsupported and gliding applications | **Standard KMA locking** | Recommended for vertical hanging and standing applications

Width Index	Standard	Part No. full set KMA pivoting	Part No. full set KMA locking	Bi [mm]	Width Index	Standard	Part No. full set KMA pivoting	Part No. full set KMA locking	Bi [mm]		
050.	▶ E4. R4.**	480.050. ¹ .12.C	E4. R4.**	481.050. ¹ .12.C	50	225.	▶ E4.**-	480.225. ¹ .12.C	E4.**-	481.225. ¹ .12.C	225
062.	▶ E4. R4.	480.062. ¹ .12.C	E4. R4.	481.062. ¹ .12.C	62,5	237.	▶ E4.**-	480.237. ¹ .12.C	E4.**-	481.237. ¹ .12.C	237,5
075.	▶ E4. R4.	480.075. ¹ .12.C	E4. R4.	481.075. ¹ .12.C	75	250.	▶ E4. R4.**	480.250. ¹ .12.C	E4.** R4.**	481.250. ¹ .12.C	250
087.	▶ E4. R4.**	480.087. ¹ .12.C	E4. R4.**	481.087. ¹ .12.C	87,5	262.	▶ E4.**-	480.262. ¹ .12.C	E4.**-	481.262. ¹ .12.C	262,5
100.	▶ E4. R4.	480.100. ¹ .12.C	E4. R4.**	481.100. ¹ .12.C	100	275.	▶ E4.**-	480.275. ¹ .12.C	E4.**-	481.275. ¹ .12.C	275
105.	▶ E4. -	480.105. ¹ .12.C	E4. -	481.105. ¹ .12.C	105	287.	▶ E4.**-	480.287. ¹ .12.C	E4.**-	481.287. ¹ .12.C	287,5
112.	▶ E4. -	480.112. ¹ .12.C	E4.**-	481.112. ¹ .12.C	112,5	300.	▶ E4.** R4.**	480.300. ¹ .12.C	E4.** R4.**	481.300. ¹ .12.C	300
125.	▶ E4. R4.	480.125. ¹ .12.C	E4. R4.**	481.125. ¹ .12.C	125	312.	▶ E4.**-	480.312. ¹ .12.C	E4.**-	481.312. ¹ .12.C	312,5
137.	▶ E4. -	480.137. ¹ .12.C	E4.**-	481.137. ¹ .12.C	137,5	325.	▶ E4.**-	480.325. ¹ .12.C	E4.**-	481.325. ¹ .12.C	325
150.	▶ E4. R4.**	480.150. ¹ .12.C	E4. R4.**	481.150. ¹ .12.C	150	337.	▶ E4.**-	480.337. ¹ .12.C	E4.**-	481.337. ¹ .12.C	337,5
162.	▶ E4. -	480.162. ¹ .12.C	E4.**-	481.162. ¹ .12.C	162,5	350.	▶ E4.**-	480.350. ¹ .12.C	E4.**-	481.350. ¹ .12.C	350
175.	▶ E4. R4.	480.175. ¹ .12.C	E4. R4.	481.175. ¹ .12.C	175	362.	▶ E4.**-	480.362. ¹ .12.C	E4.**-	481.362. ¹ .12.C	362,5
187.	▶ E4.**-	480.187. ¹ .12.C	E4.**-	481.187. ¹ .12.C	187,5	375.	▶ E4.**-	480.375. ¹ .12.C	E4.**-	481.375. ¹ .12.C	375
200.	▶ E4. R4.	480.200. ¹ .12.C	E4.** R4.**	481.200. ¹ .12.C	200	387.	▶ E4.**-	480.387. ¹ .12.C	E4.**-	481.387. ¹ .12.C	387,5
212.	▶ E4.**-	480.212. ¹ .12.C	E4.**-	481.212. ¹ .12.C	212,5	400.	▶ E4.**-	480.400. ¹ .12.C	E4.**-	481.400. ¹ .12.C	400

(KMA = Polymer Metal Mounting Bracket)

**Width available upon request, please consult igus® for delivery time!

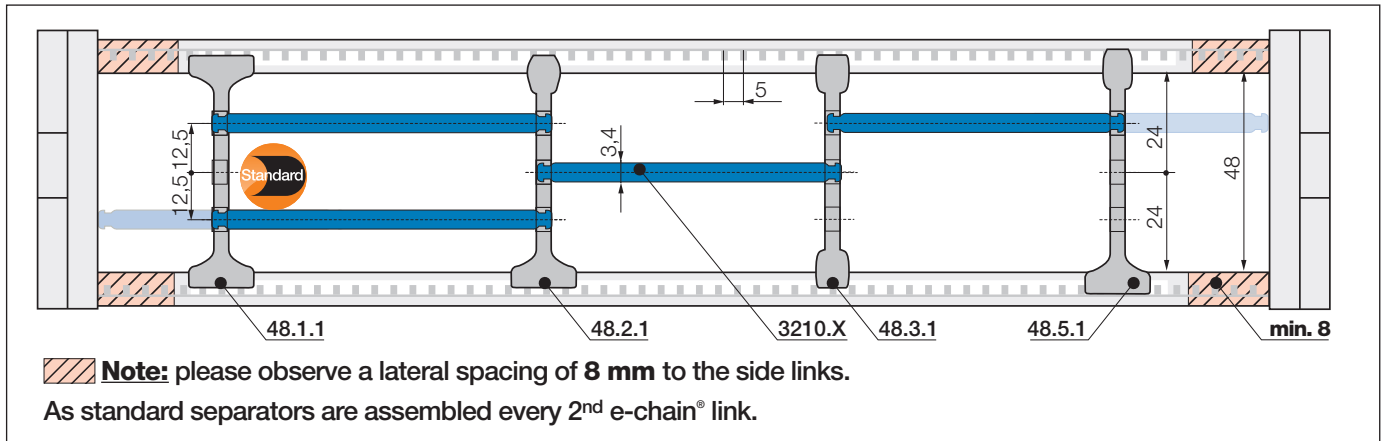

Note ¹: the E4.1 can end with either an inner or an outer side link. An outer side link should always form the first e-chain® link at the moving end. The Part No. depend on an even or odd numbers of links. Please insert: index ¹ (for odd) or ² (for even). For the **preassembled** mode please add index **A**.



E4.480.100.².12.C A Part No. structure

- A...must be indicated on preassembled configurations
- C-profile option
- Full set
- Even numbers of links
- Width index
- Series


Strain relief e.g. clamps, tiewrap plates, nuggets and plug-in clips are available from stock. The complete chainfix range with order options ▶ from page 656

Standard separator, wide base
unassembled **48.1**
assembled **48.1.1**

Standard - for any application


Separator with a wide base for maximum holding strength in the e-chain®.



Separator, narrow head
unassembled **48.2**
assembled **48.2.1**

For even faster installation


Wide on one side for high holding strength, narrow on opposite side for easy cable fitting.



Separator, narrow base
unassembled **48.3**
assembled **48.3.1**

For thin cables


Separator with a narrow base for a large number of thin cables side by side. Saves space in e-chains®.



Notch separator for notch crossbar
unassembled **48.5**
assembled **48.5.1**

Locks securely in 5 mm increments

Notch separator for exact positioning in e-chains®. Recommended for side-mounted applications.



Full-width shelf, lockable
unassembled **3200.X**
assembled **3210.X**

Horizontal separation

Full-width shelf locks securely into separators at both ends, giving a fixed width. Separators can be moved freely over the shelf in horizontal direction. Can be fitted at 3 different heights.

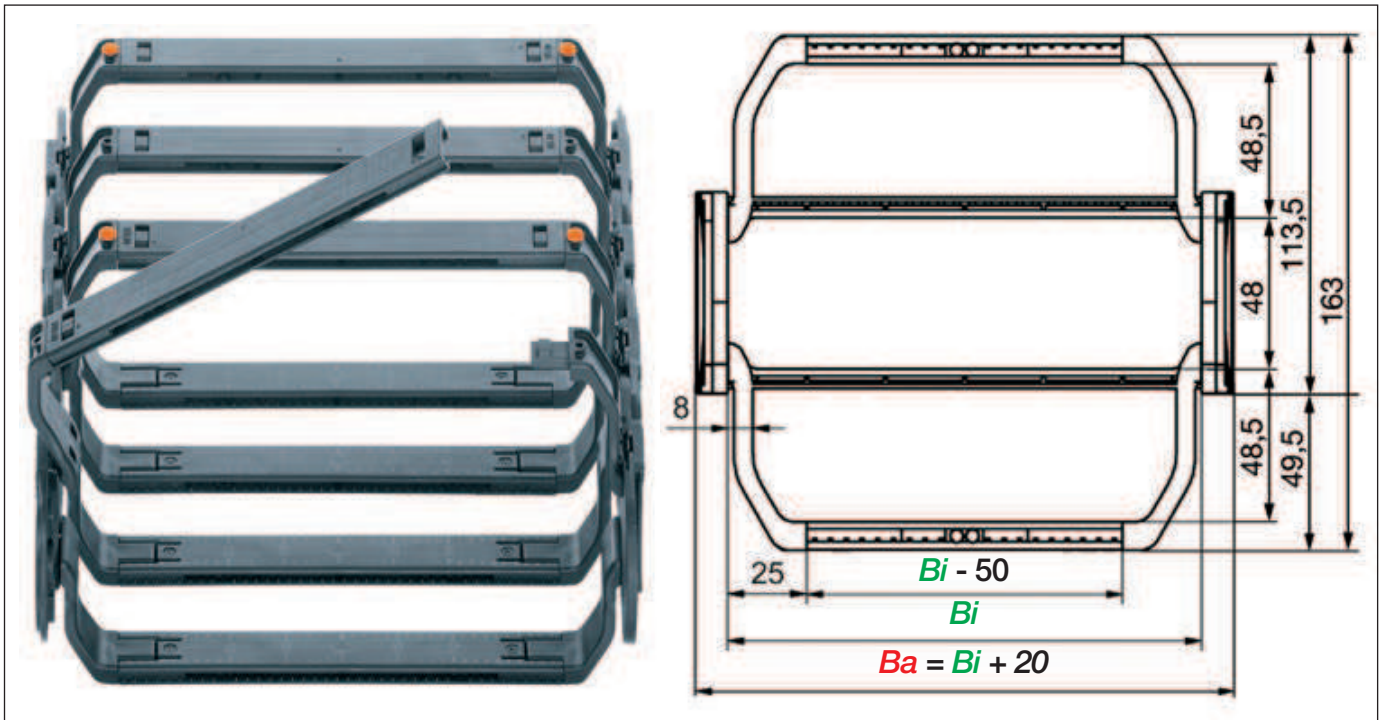
Lockable full-width shelves



Width X [mm]	unassembled	assembled	Width X [mm]	unassembled	assembled	Width X [mm]	unassembled	assembled
050	3200.050	3210.050	125	3200.125	3210.125	225	3200.225	3210.225
075	3200.075	3210.075	150	3200.150	3210.150	250	3200.250	3210.250
100	3200.100	3210.100	175	3200.175	3210.175			
115	3200.115	3210.115	200	3200.200	3210.200			

E4.1 light | Series E4.48L | Further accessories

Extender crossbars | Large increase of the interior space



Extender crossbars | Large increase of the interior space for the smooth guiding of larger hoses

- An extender crossbar increases the inner height by 48,5 mm
- Extender crossbars **one-sided**: max. cable diameter-index 87 mm
- Extender crossbars **on both sides**: max. cable diameter-index 130 mm
- Extender crossbars can be assembled in various ways:
one-sided, on both sides, alternating with normal crossbars and combinations of these
- Optionally openable along the inner or outer radius, swivelling
- Cable-friendly design of extender crossbar
- High holding force of the extender crossbar

Extender crossbar possibilities	Part No. extender crossbar
Extender crossbar on inner and outer radius	E4.48L.XXXB48.R.0
Extender crossbar on inner radius	E4.48L.XXXBZ48.R.0
Extender crossbar on outer radius	E4.48L.XXXBE48.R.0
Extender crossbar and crossbars alternating	E4.48L.XXXHB48.R.0
Extender crossbar and crossbars alternating on inner radius	E4.48L.XXXHBZ48.R.0
Extender crossbar and crossbars alternating on outer radius	E4.48L.XXXHBE48.R.0

Supplement Part No. with the required width index **XXX Bi** and radius **R**. Example: E4.48L.175B48.150.0

(width index **XXX Bi** ► see table right page)

Optional: support tray kit - for support of the lower run

- Simple one-piece support trays according to your requirements and specification
 - Easy installation onto your machine, on profiles or wall-mount brackets
 - igus® support tray - available in 2 types and 4 options
- More information ► from page 740**



Extender crossbars | Table width index **XXX Bi**

for series E4.48L.XXXB48.R.0 XXX Bi [mm]	for series E4.48L.XXXBZ48.R.0 XXX Bi [mm]	for series E4.48L.XXXBE48.R.0 XXX Bi [mm]	for series E4.48L.XXXHB48.R.0 XXX Bi [mm]	for series E4.48L.XXXHBZ48.R.0 XXX Bi [mm]	for series E4.48L.XXXHBE48.R.0 XXX Bi [mm]
100	100	100	100	100	100
118	–	–	–	–	–
125	125	125	125	125	125
137	137	137	137	137	137
147	–	–	–	–	–
150	150	150	150	150	150
158	–	–	–	–	–
162	162	162	162	162	162
175	175	175	175	175	175
187	187	187	187	187	187
200	200	200	200	200	200
212	212	212	212	212	212
218	–	–	–	–	–
225	225	225	225	225	225
237	237	237	237	237	237
250	250	250	250	250	250
262	–	–	–	–	–
275	–	–	–	–	–
287	–	–	–	–	–
300	–	–	–	–	–
312	–	–	–	–	–
325	–	–	–	–	–
337	–	–	–	–	–
350	–	–	–	–	–
362	–	–	–	–	–
375	–	–	–	–	–
387	–	–	–	–	–
400	–	–	–	–	–
412	–	–	–	–	–
425	–	–	–	–	–
437	–	–	–	–	–
450	–	–	–	–	–

Hot Chips up to 850°C

Serie E4.1 light as closed e-tube R4.1 light, that repel hot chips up to 850° C. Some applications, depending on amount and size of the chips, left burn- and melt marks. That is no longer the case with the igus® "igumid HT" material.

More information ► www.igus.eu/HT

