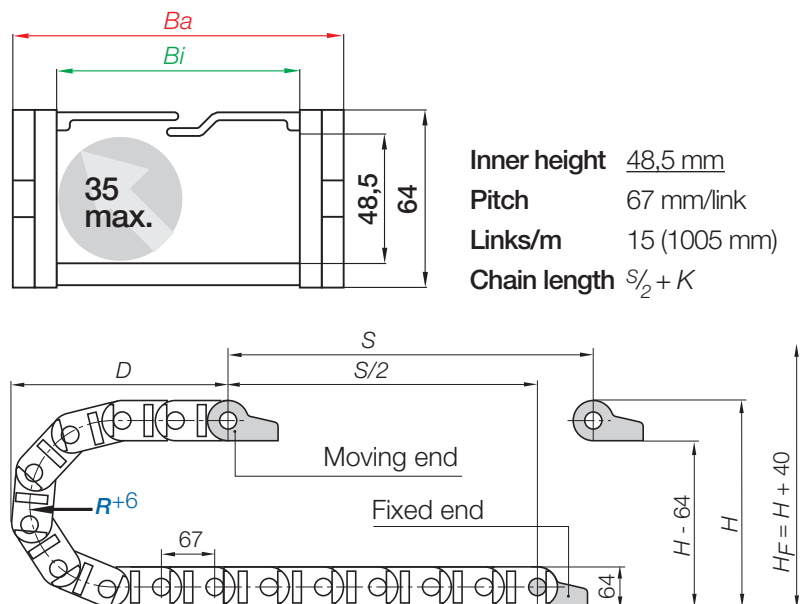
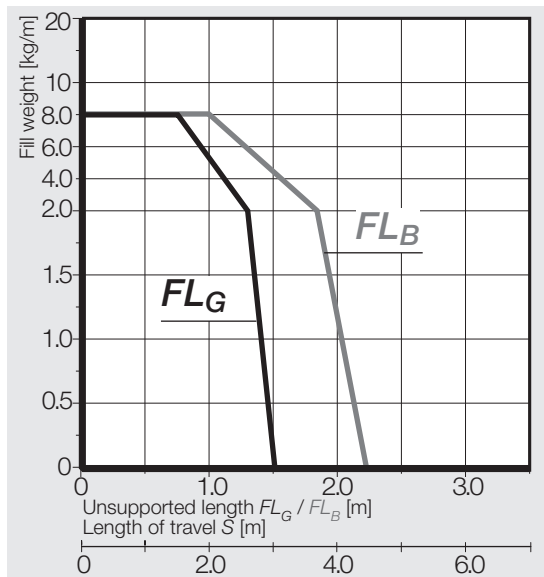


Series E300 | Split crossbar along the outer radius | 1 / 2 / 3-chamber system
Series Z300 | Split crossbar along the inner radius | 1 / 2 / 3-chamber system

Chamber system	Split crossbar along outer radius	Split crossbar along inner radius	<i>Bi</i> [mm]	<i>Ba</i> [mm]	<i>R</i> Bending radii [mm]	Weight [kg/m]
1-chamber	E300.075.R.0	Z300.075.R.0	75	95	075 100 125 150 200 250 300	≈ 1,60
2-chamber	E300.2/45.R.0	Z300.2/45.R.0	48/48	120	075 100 125 150 200 250 300	≈ 1,78
3-chamber	E300.3/45.R.0	Z300.3/45.R.0	47/46/47	170	075 100 125 150 200 250 300	≈ 1,92

Supplement Part No. with required radius (*R*). Example: **E300.075.150.0** *Ba*: pin dimension approx. 0,3 - 0,5 mm wider.

Dimensions

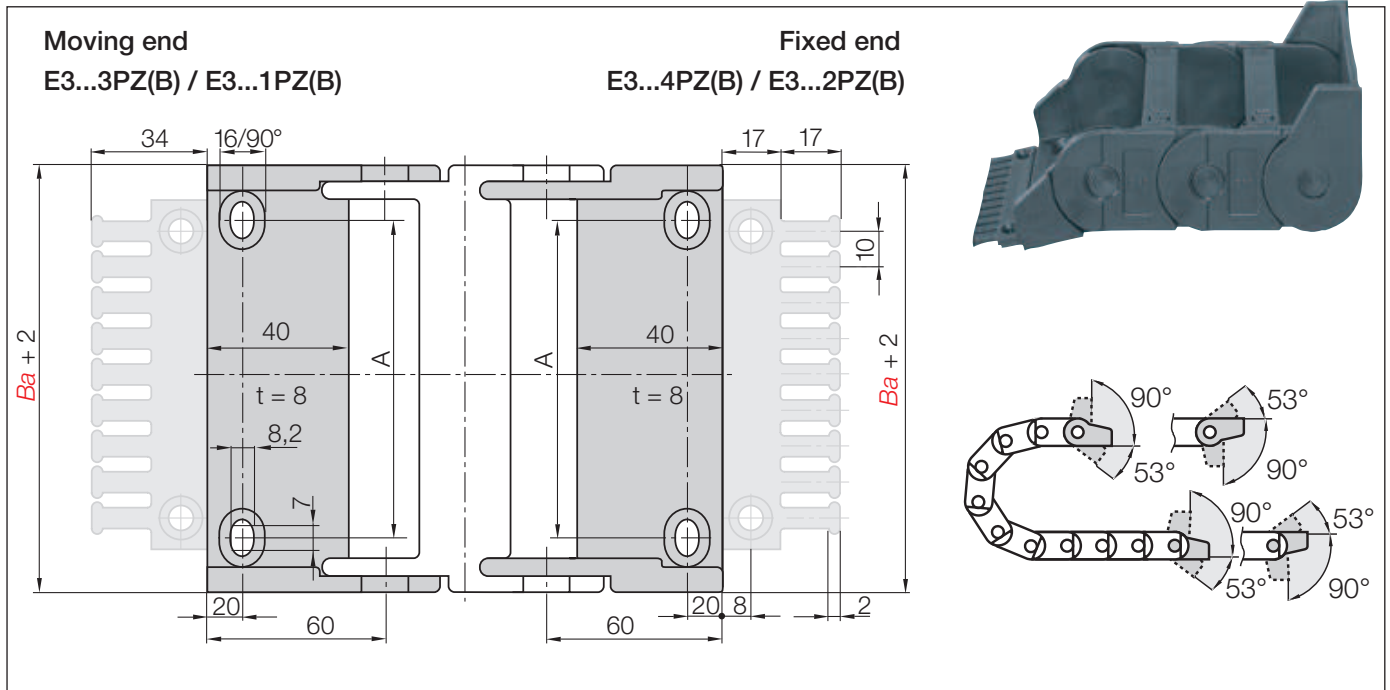


<i>R</i>	075	100	125	150	200	250	300
<i>H</i> +5	214	264	314	364	464	564	664
<i>D</i>	208	233	258	283	333	383	433
<i>K</i>	370	450	530	610	765	920	1080

The required clearance height: $H_F = H + 40$ mm (with 2,5 kg/m fill weight)



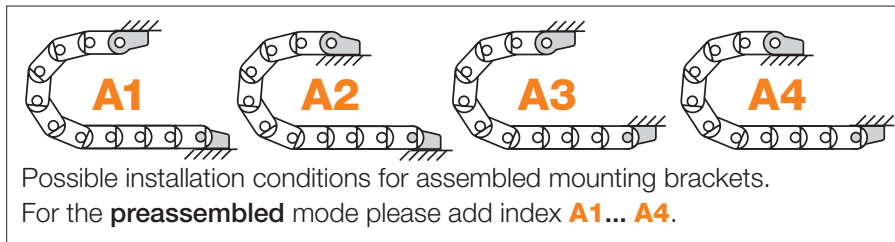
Mounting brackets, polymer | pivoting | locking



Width Index	Standard	Part No. full set pivoting:		Part No. full set locking:		Dim. A [mm]	Number of teeth
		with tie-strap plates	without tie-strap plates	with tie-strap plates	without tie-strap plates		
.075. ▶		E3075.34PZB	E3075.34PZ	E3075.12PZB	E3075.12PZ	53	7
.2/45. ▶		E3100.34PZB	E3100.34PZ	E3100.12PZB	E3100.12PZ	78	10
.3/45. ▶		E3150.34PZB	E3150.34PZ	E3150.12PZB	E3150.12PZ	128	15

Material mounting bracket - igumid G, temperature: -40° up to +120° C, VDE 0304 IIC UL94-HB

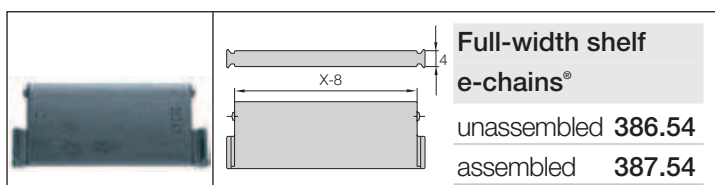
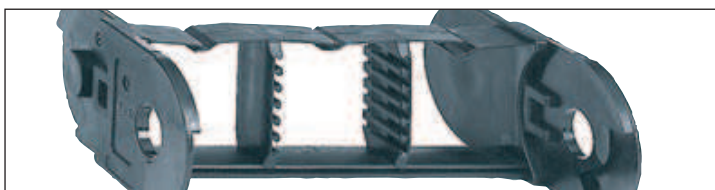
Full set with tie-strap plate + 10 cable tie-wraps, please add index **K1** ▶ e.g. **E3075.34PZBK1**



Part No. structure

E3075.34 PZB A2 A... must be indicated on preassembled configurations
With strain relief tie-strap plates
Full set pivoting
Mounting bracket for selected width index

Interior separation



Optional shelving for E300.3/45 and Z300.3/45 -Full-width shelf 386.54

Shelving enables subdivision of the inner space of the e-chain® Series E300.3/45 and Z300.3/45. This option makes sense in applications with many thin cables with similar diameters. For a consequent subdivision. Full-width shelves can be arranged at 7 different heights (in 7 mm increments). In standard configurations, shelves are installed in every other link.