



...E6.80L
crossbars every 2nd link

e-chains® | Series E6.80L crossbars every 2nd link (crossbars removable along both radii)

| Part No. e-chains® | <i>Bi</i> [mm] | <i>Ba</i> [mm] | E6.80L [kg/m] | Part No. e-chains® | <i>Bi</i> [mm] | <i>Ba</i> [mm] | E6.80L [kg/m] |
|-----------------------|-------------------|-------------------|------------------|-----------------------|-------------------|-------------------|------------------|
| E6.80L.08.R.0 | 87 | 115 | 3,28 | E6.80L.32.R.0 | 325 | 353 | 4,38 |
| E6.80L.10.R.0 | 100 | 128 | 3,33 | E6.80L.33.R.0 | 337 | 365 | 4,44 |
| E6.80L.11.R.0 | 112 | 140 | 3,38 | E6.80L.35.R.0 | 350 | 378 | 4,50 |
| E6.80L.12.R.0 | 125 | 153 | 3,43 | E6.80L.36.R.0 | 362 | 390 | 4,56 |
| E6.80L.13.R.0 | 137 | 165 | 3,49 | E6.80L.37.R.0 | 375 | 403 | 4,62 |
| E6.80L.15.R.0 | 150 | 178 | 3,55 | E6.80L.38.R.0 | 387 | 415 | 4,68 |
| E6.80L.16.R.0 | 162 | 190 | 3,61 | E6.80L.40.R.0 | 400 | 428 | 4,74 |
| E6.80L.17.R.0 | 175 | 203 | 3,67 | E6.80L.41.R.0 | 412 | 440 | 4,80 |
| E6.80L.18.R.0 | 187 | 215 | 3,73 | E6.80L.42.R.0 | 425 | 453 | 4,85 |
| E6.80L.20.R.0 | 200 | 228 | 3,79 | E6.80L.43.R.0 | 437 | 465 | 4,92 |
| E6.80L.21.R.0 | 212 | 240 | 3,85 | E6.80L.45.R.0 | 450 | 478 | 5,03 |
| E6.80L.22.R.0 | 225 | 253 | 3,91 | E6.80L.46.R.0 | 462 | 490 | 5,09 |
| E6.80L.23.R.0 | 237 | 265 | 3,97 | E6.80L.47.R.0 | 475 | 503 | 5,15 |
| E6.80L.25.R.0 | 250 | 278 | 4,02 | E6.80L.48.R.0 | 487 | 515 | 5,21 |
| E6.80L.26.R.0 | 262 | 290 | 4,09 | E6.80L.50.R.0 | 500 | 528 | 5,27 |
| E6.80L.27.R.0 | 275 | 303 | 4,14 | E6.80L.51.R.0 | 512 | 540 | 5,33 |
| E6.80L.28.R.0 | 287 | 315 | 4,20 | E6.80L.52.R.0 | 525 | 553 | 5,39 |
| E6.80L.30.R.0 | 300 | 328 | 4,26 | E6.80L.53.R.0 | 537 | 565 | 5,45 |
| E6.80L.31.R.0 | 312 | 340 | 4,32 | E6.80L.55.R.0 | 550 | 578 | 5,51 |

Available bending radii *R* [mm] **150 | 175 | 200 | 250 | 300**

Supplement Part No. with required radius (*R*). Examples:

E6.80L.10.175.0 = e-chain® with **crossbars every 2nd link**, inner width *Bi* 100 mm, radius *R* 175 mm, color black

Optional: **Support tray tool kit.**

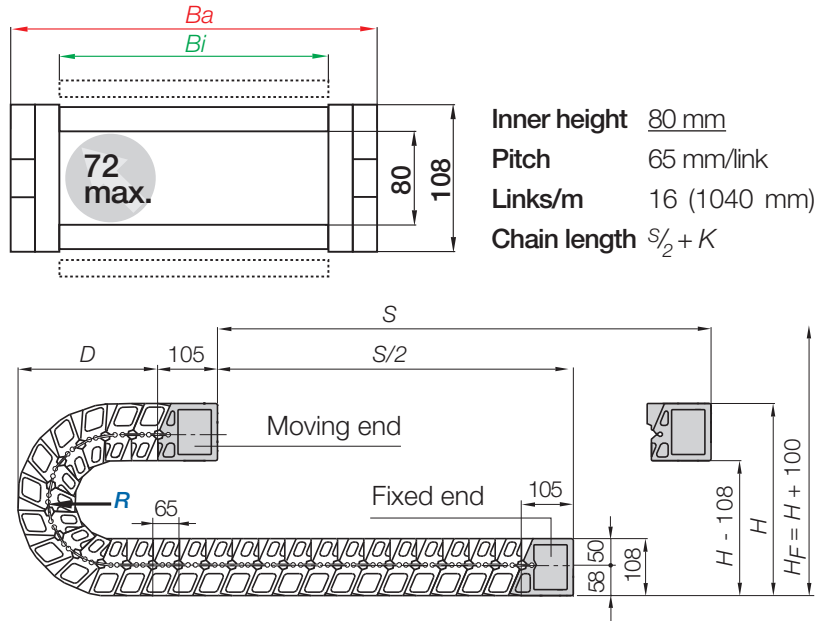
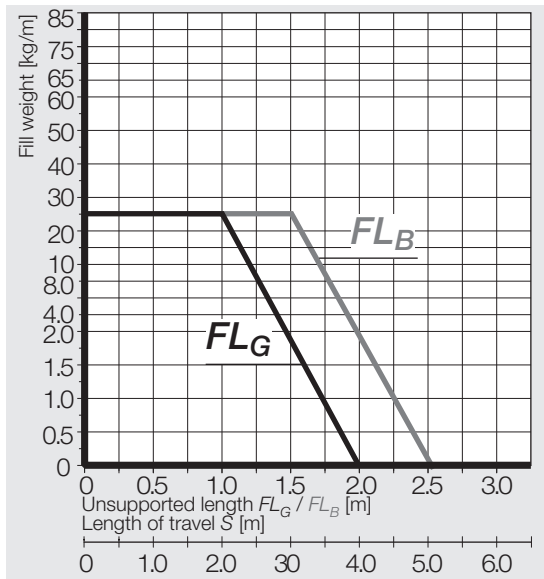
For support of the lower run.

Simple one-piece support trays according to your requirements and specification.

The complete range with order options ► from page 740



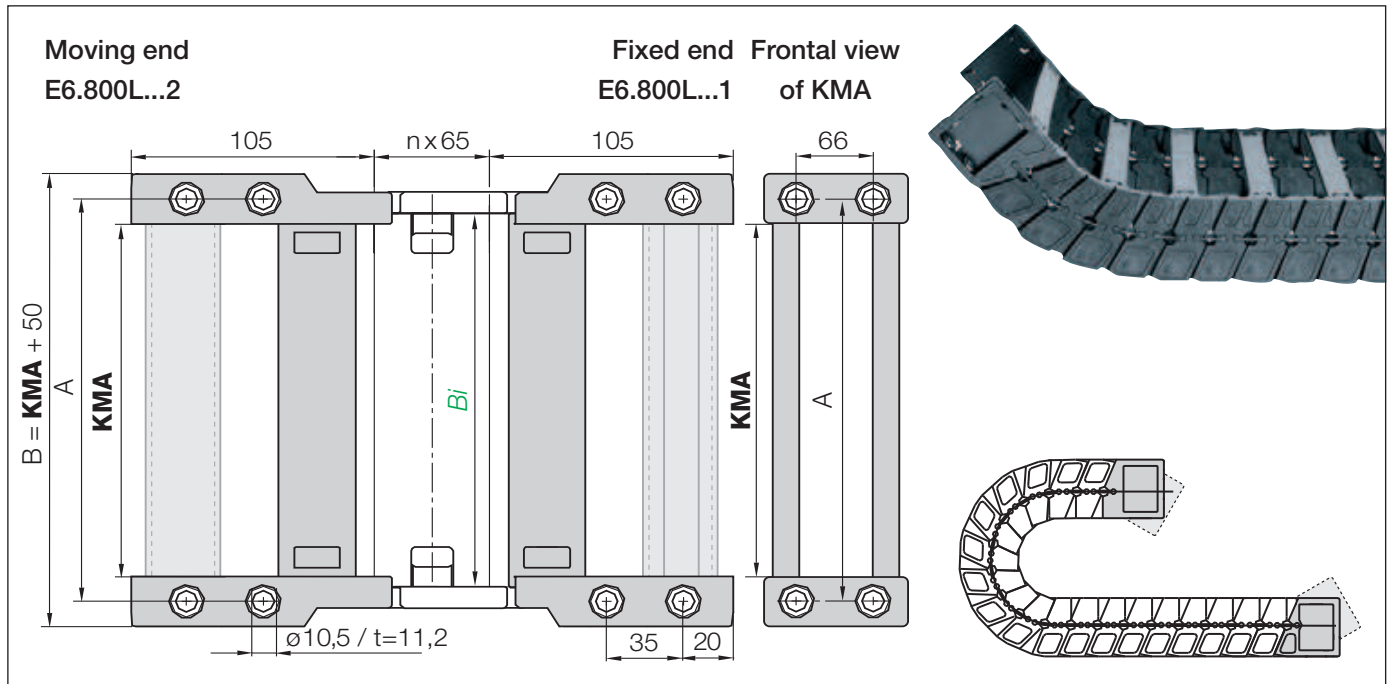
Unsupported applications | Short travels



| R | 150 | 175 | 200 | 250 | 300 |
|---|-----|-----|-----|-----|------|
| H | 516 | 566 | 616 | 716 | 816 |
| D | 306 | 331 | 356 | 406 | 456 |
| K | 605 | 680 | 760 | 915 | 1075 |

The required clearance height: $H_F = H + 100$ mm (with 5,0 kg/m fill weight)

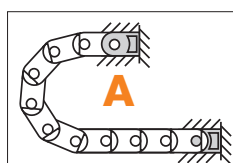
 **If you need this series for gliding applications, please consult igus®!**



KMA pivoting | Recommended for unsupported applications | Standard

| Width Index | Part No. full set KMA pivoting: (optional with C-profile) | Dim. A [mm] | KMA [mm] | Width Index | Part No. full set KMA pivoting: (optional with C-profile) | Dim. A [mm] | KMA [mm] |
|-------------|---|-------------|----------|-------------|---|-------------|----------|
| 08. ▶ | E6.800L. 08. 12.C | 103 | 75 | 32. ▶ | E6.800L. 32. 12.C | 340 | 312 |
| 10. ▶ | E6.800L. 10. 12.C | 115 | 87 | 33. ▶ | E6.800L. 33. 12.C | 353 | 325 |
| 11. ▶ | E6.800L. 11. 12.C | 128 | 100 | 35. ▶ | E6.800L. 35. 12.C | 365 | 337 |
| 12. ▶ | E6.800L. 12. 12.C | 140 | 112 | 36. ▶ | E6.800L. 36. 12.C | 378 | 350 |
| 13. ▶ | E6.800L. 13. 12.C | 153 | 125 | 37. ▶ | E6.800L. 37. 12.C | 390 | 362 |
| 15. ▶ | E6.800L. 15. 12.C | 165 | 137 | 38. ▶ | E6.800L. 38. 12.C | 403 | 375 |
| 16. ▶ | E6.800L. 16. 12.C | 178 | 150 | 40. ▶ | E6.800L. 40. 12.C | 415 | 387 |
| 17. ▶ | E6.800L. 17. 12.C | 190 | 162 | 41. ▶ | E6.800L. 41. 12.C | 428 | 400 |
| 18. ▶ | E6.800L. 18. 12.C | 203 | 175 | 42. ▶ | E6.800L. 42. 12.C | 440 | 412 |
| 20. ▶ | E6.800L. 20. 12.C | 215 | 187 | 43. ▶ | E6.800L. 43. 12.C | 453 | 425 |
| 21. ▶ | E6.800L. 21. 12.C | 228 | 200 | 45. ▶ | E6.800L. 45. 12.C | 465 | 437 |
| 22. ▶ | E6.800L. 22. 12.C | 240 | 212 | 46. ▶ | E6.800L. 46. 12.C | 478 | 450 |
| 23. ▶ | E6.800L. 23. 12.C | 253 | 225 | 47. ▶ | E6.800L. 47. 12.C | 490 | 462 |
| 25. ▶ | E6.800L. 25. 12.C | 265 | 237 | 48. ▶ | E6.800L. 48. 12.C | 503 | 475 |
| 26. ▶ | E6.800L. 26. 12.C | 278 | 250 | 50. ▶ | E6.800L. 50. 12.C | 515 | 487 |
| 27. ▶ | E6.800L. 27. 12.C | 290 | 262 | 51. ▶ | E6.800L. 51. 12.C | 528 | 500 |
| 28. ▶ | E6.800L. 28. 12.C | 303 | 275 | 52. ▶ | E6.800L. 52. 12.C | 540 | 512 |
| 30. ▶ | E6.800L. 30. 12.C | 315 | 287 | 53. ▶ | E6.800L. 53. 12.C | 553 | 225 |
| 31. ▶ | E6.800L. 31. 12.C | 328 | 300 | 55. ▶ | E6.800L. 55. 12.C | 565 | 537 |

(KMA = Polymer Metal Mounting Bracket)



These attachment types are set automatically in the choice of the KMA mounting bracket. For the **preassembled** mode please add index **A**.

E6.800L.10.12.CA Part No. structure

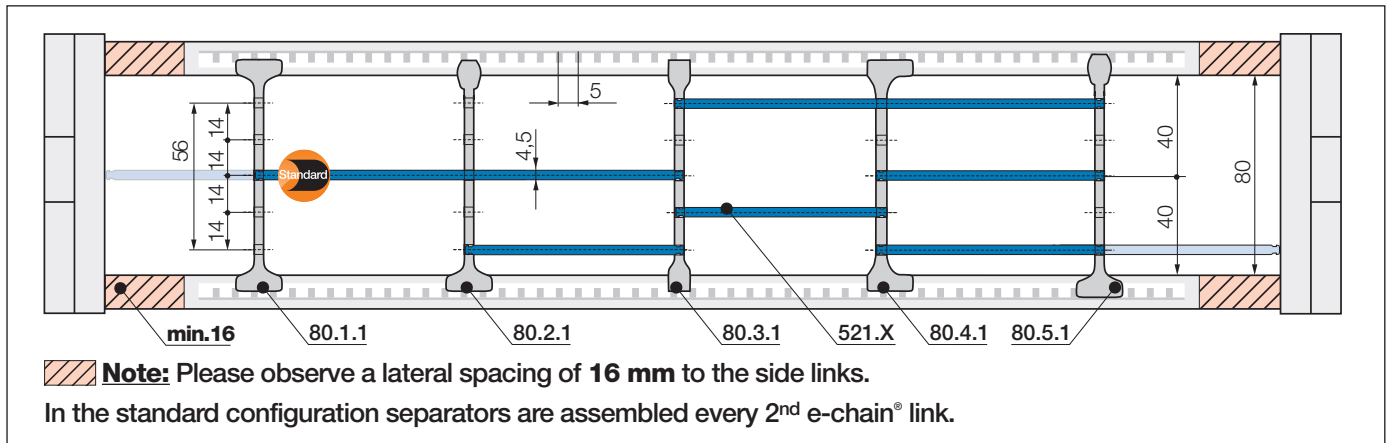

- A... must be indicated on preassembled configurations
- C-profile option
- Full set
- Width index
- Series



Strain relief e.g. clamps, tiwrap plates, nuggets and plug-in clips are available from stock. The complete chainfix range with order options ▶ from page 656

Interior separation | New generation

Previous interior separation with optional elements ► www.igus.eu/E6.80L





Standard separator, wide base

| | |
|-------------|--------|
| unassembled | 80.1 |
| assembled | 80.1.1 |

Standard - for all applications

Separator with wide base for maximum locking strength and safe standing in e-chains®.




Separator for QuickLock crossbar

| | |
|-------------|--------|
| unassembled | 80.2 |
| assembled | 80.2.1 |

For even faster installation

Separator for igus® QuickLock crossbar 450.X.Q. Firm hold to one side with a wide base, narrow on opposed side for easy cable assembly (slight grip).




Separator, narrow base

| | |
|-------------|--------|
| unassembled | 80.3 |
| assembled | 80.3.1 |

For many thin cables

Separator with a narrow base for a large number of thin cables side by side. Saves space in e-chains®.




Separator, asymmetrical

| | |
|-------------|--------|
| unassembled | 80.4 |
| assembled | 80.4.1 |

For side-mounted applications

Asymmetrical separator, for defined distance. No additional spacers necessary.




Notch separator for notch crossbar

| | |
|-------------|--------|
| unassembled | 80.5 |
| assembled | 80.5.1 |

Locks safely in 5 mm increments

Notch separator for exact positioning in e-chains®. Recommended for side-mounted applications.



Full-width shelf, lockable

| | |
|-------------|-------|
| unassembled | 520.X |
| assembled | 521.X |

Horizontal separation

Full-width shelf locks safely into separators on both ends, fixed width possible. Separators can be moved freely over the shelf in horizontal direction. Can be arranged at 5 different heights.

Lockable full-width shelves



| Width X [mm] | unassembled | assembled | Width X [mm] | unassembled | assembled | Width X [mm] | unassembled | assembled |
|--------------|-------------|-----------|--------------|-------------|-----------|--------------|-------------|-----------|
| 050 | 520.050 | 521.050 | 150 | 520.150 | 521.150 | 300 | 520.300 | 521.300 |
| 065 | 520.065 | 521.065 | 175 | 520.175 | 521.175 | 350 | 520.350 | 521.350 |
| 075 | 520.075 | 521.075 | 200 | 520.200 | 521.200 | 375 | 520.375 | 521.375 |
| 100 | 520.100 | 521.100 | 225 | 520.225 | 521.225 | 387 | 520.387 | 521.387 |
| 125 | 520.125 | 521.125 | 250 | 520.250 | 521.250 | 450 | 520.450 | 521.450 |