

e-chains® | Series E6.40 crossbars every 2nd link (crossbars removable along both radii)
e-tubes | Series R6.40 fully enclosed (lids can be removed along inner and outer radius)

Part No. e-chains® / e-tubes	<i>Bi</i> [mm]	<i>Ba</i> [mm]	E6.40 [kg/m]	R6.40 [kg/m]
E6.40. R6.40.* 040. R.0	40	60	≈ 1,29	-
E6.40. R6.40.* 050. R.0	50	70	≈ 1,33	-
E6.40. R6.40.* 052. R.0	52	72	≈ 1,34	-
E6.40. R6.40. 062. R.0	62	82	≈ 1,38	≈ 1,59
E6.40. R6.40.* 070. R.0	70	90	≈ 1,41	-
E6.40. R6.40. 075. R.0	75	95	≈ 1,43	≈ 1,65
E6.40. R6.40.* 087. R.0	87	107	≈ 1,48	-
E6.40. R6.40.* 100. R.0	100	120	≈ 1,53	-

Part No. e-chains® / e-tubes	<i>Bi</i> [mm]	<i>Ba</i> [mm]	E6.40 [kg/m]	R6.40 [kg/m]
E6.40. R6.40.* 125. R.0	125	145	≈ 1,63	-
E6.40. R6.40.* 150. R.0	150	170	≈ 1,73	-
E6.40. R6.40.* 175. R.0	175	195	≈ 1,83	-
E6.40. R6.40.* 200. R.0	200	220	≈ 1,93	-
E6.40. R6.40.* 225. R.0	225	245	≈ 2,02	-
E6.40. R6.40.* 250. R.0	250	270	≈ 2,12	-
E6.40. R6.40.* 275. R.0	275	295	≈ 2,22	-
E6.40. R6.40.* 300. R.0	300	320	≈ 2,32	-

*Width available upon request, please consult igus® for delivery time!

Available bending radii *R* [mm] 063 | 075 | 100 | 125 | 150 | 200

Supplement Part No. with required radius (*R*). Examples:

E6.40.100.100.0 = e-chain® with crossbars every 2nd link, inner width *Bi* 100 mm, radius *R* 100 mm, color black

R6.40.100.100.0 = e-tube fully enclosed, inner width *Bi* 100 mm, radius *R* 100 mm, color black



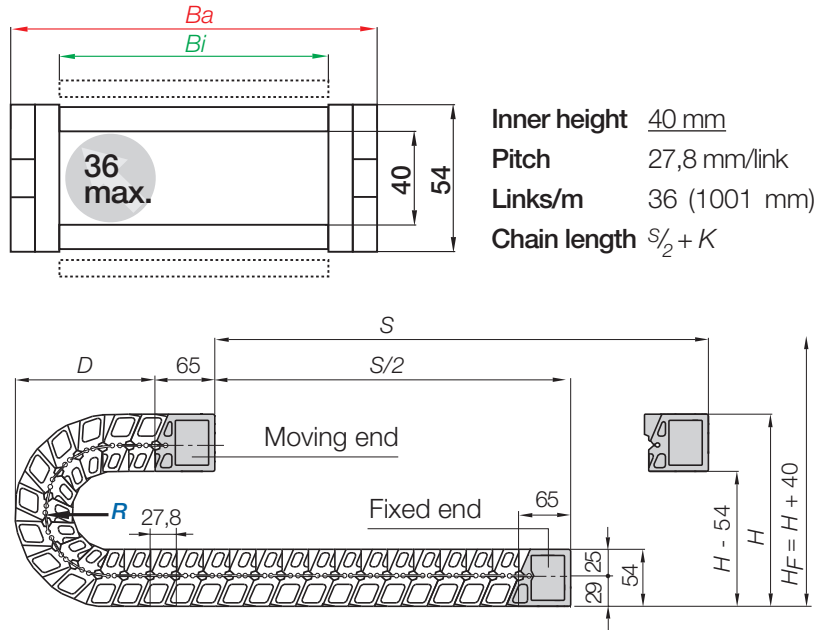
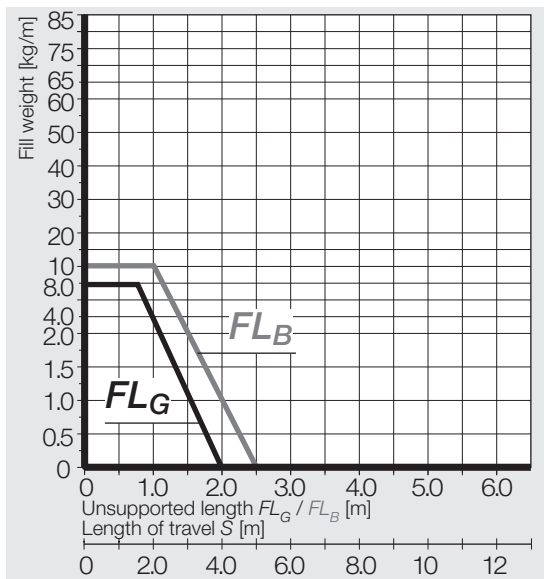
▶ 656



▶ 704

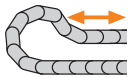
E6.40
R6.40

Unsupported applications | Short travels

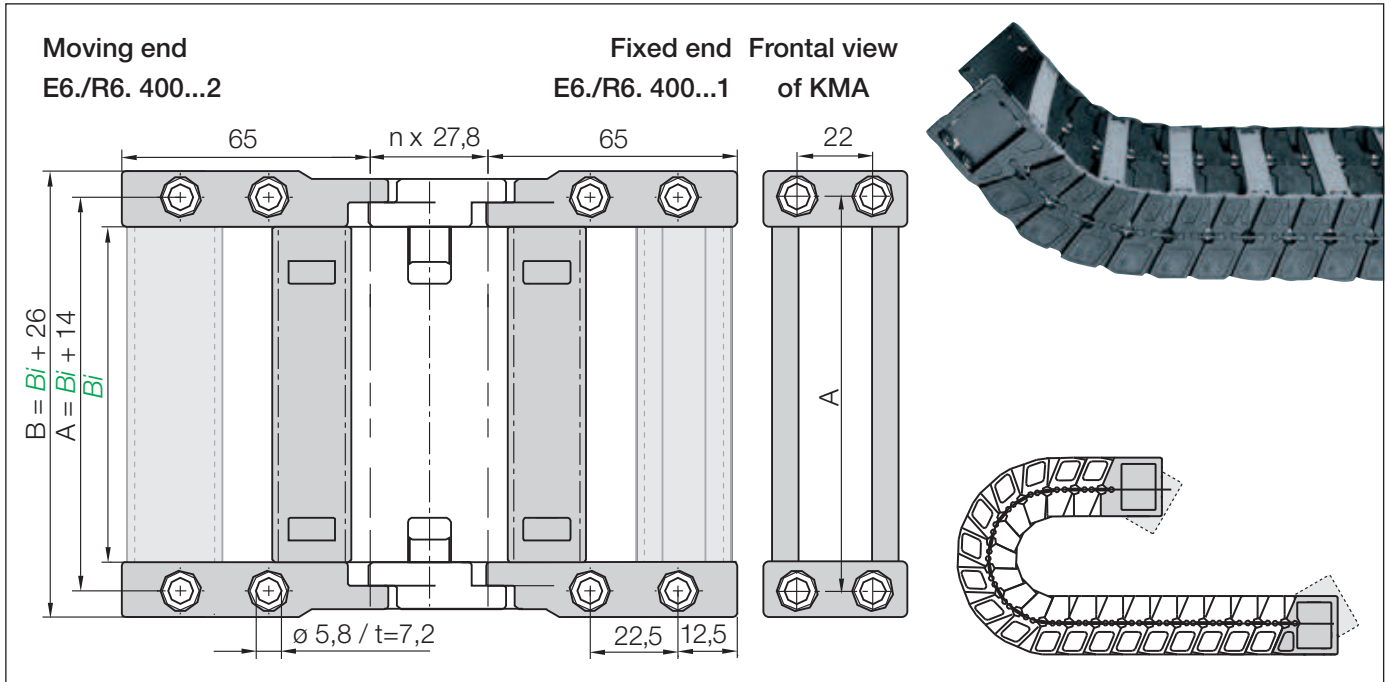


R	063	075	100	125	150	200
H	224	248	298	348	398	498
D	134	146	171	196	221	271
K	255	295	370	450	530	685

The required clearance height: $H_F = H + 40$ mm (with 2,0 kg/m fill weight)



If you need this series for gliding applications, please consult igus®!

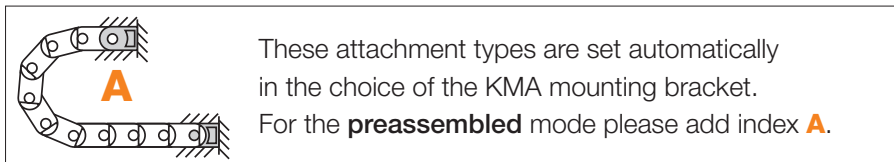


KMA pivoting | Recommended for unsupported applications | Standard

Width Index	Part No. full set KMA pivoting: (optional with C-profile)	Dim. A [mm]	Dim. B [mm]	Bi [mm]	Width Index	Part No. full set KMA pivoting: (optional with C-profile)	Dim. A [mm]	Dim. B [mm]	Bi [mm]
040.	E6.400. R6.400.* 040.12.C	54	66	40	125.	E6.400. R6.400.* 125.12.C	139	151	125
050.	E6.400. R6.400.* 050.12.C	64	76	50	150.	E6.400. R6.400.* 150.12.C	154	176	150
052.	E6.400. R6.400.* 052.12.C	66	78	52	175.	E6.400. R6.400.* 175.12.C	189	201	175
062.	E6.400. R6.400.* 062.12.C	76	88	62	200.	E6.400. R6.400.* 200.12.C	214	226	200
070.	E6.400. R6.400.* 070.12.C	84	96	70	225.	E6.400. R6.400.* 225.12.C	239	251	225
075.	E6.400. R6.400.* 075.12.C	89	101	75	250.	E6.400. R6.400.* 250.12.C	264	276	250
087.	E6.400. R6.400.* 087.12.C	101	113	87	275.	E6.400. R6.400.* 275.12.C	289	301	275
100.	E6.400. R6.400.* 100.12.C	114	126	100	300.	E6.400. R6.400.* 300.12.C	314	326	300

*Width available upon request, please consult igus® for delivery time!

(KMA = Polymer Metal Mounting Bracket)



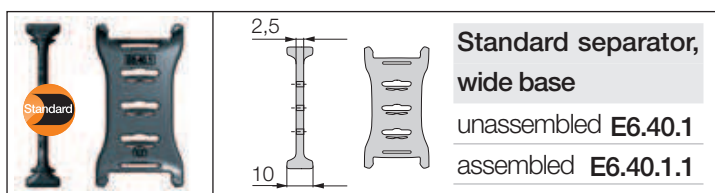
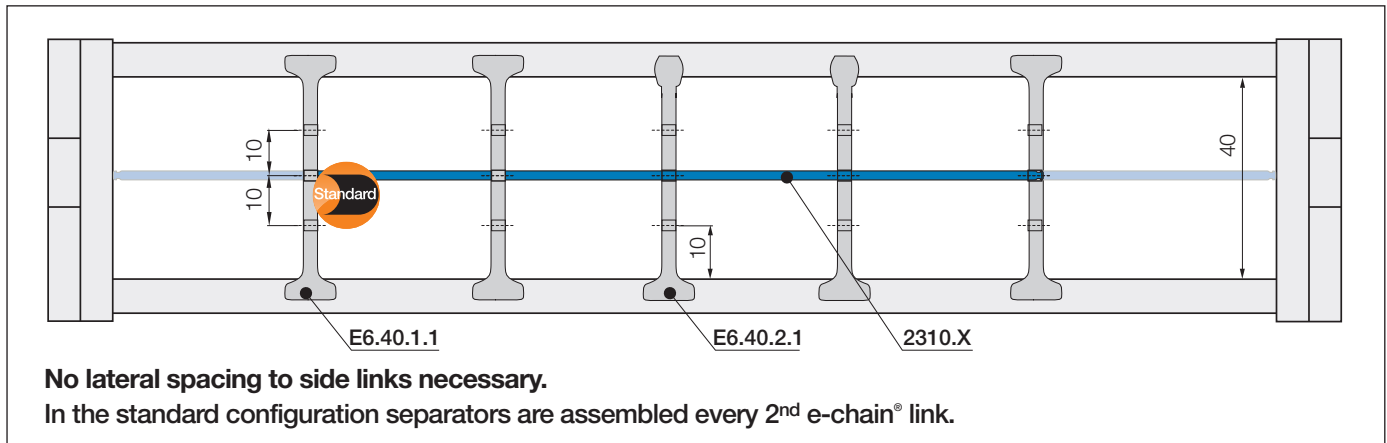
E6.400.100.12.CA Part No. structure

- A... must be indicated on preassembled configurations
- C-profile option
- Full set
- Width index
- Series

Strain relief e.g. clamps, tiewrap plates, nuggets and plug-in clips are available from stock. The complete chainfix range with order options ► from page 656

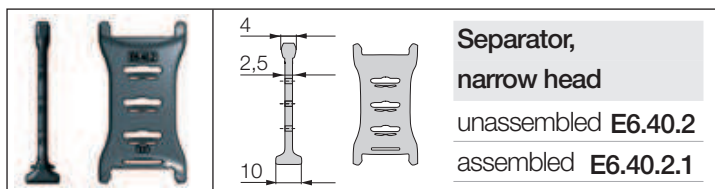
Interior separation | New generation | Only for e-chains® (e-tubes ▶ next page)

Previous interior separation with optional elements ▶ www.igus.eu/E6.40



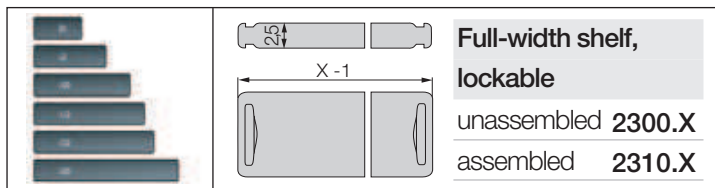
Standard - for all applications

Separator with a wide base for maximum locking strength and safe standing in e-chains®.



For even faster installation

Firm hold to one side with a wide base, narrow on opposed side for easy cable assembly (slight grip).



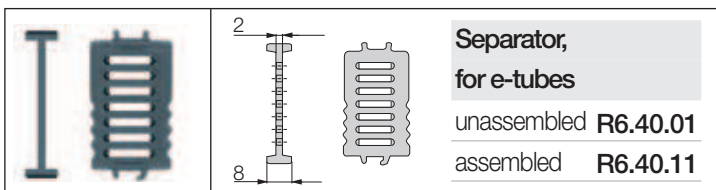
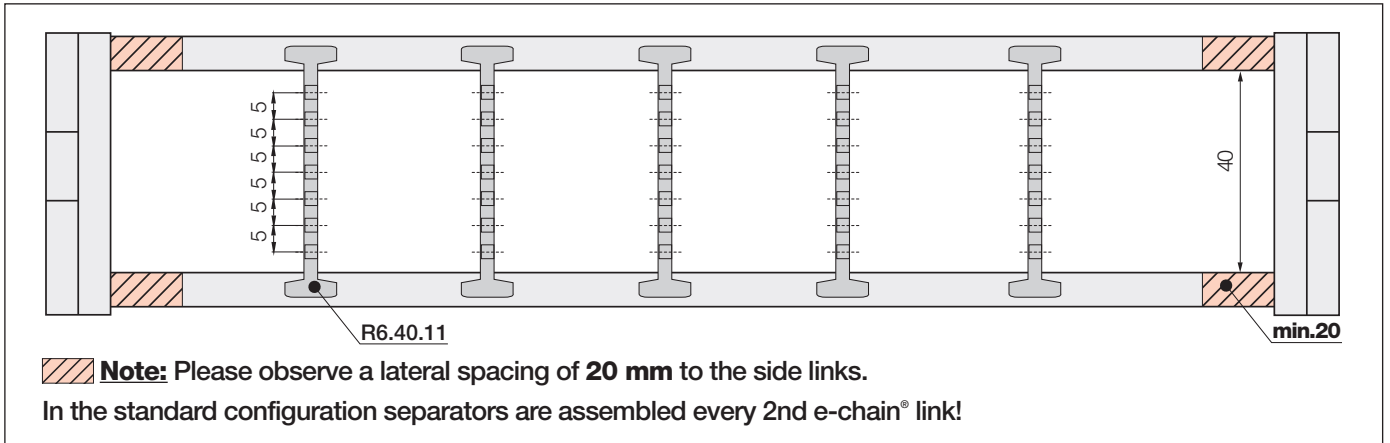
Horizontal separation

Shelf locks safely into separators on both ends, fixed width possible. Separators can be moved freely over the shelf in horizontal direction. Can be arranged at 3 different heights.



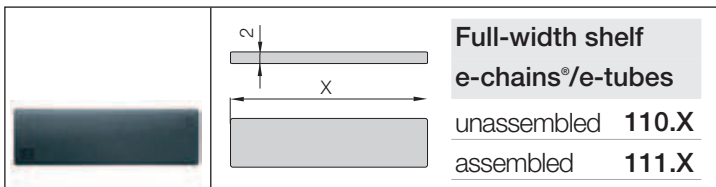
Lockable full-width shelves - for the standard interior separation

Width X [mm]	unassembled	assembled	Width X [mm]	unassembled	assembled	Width X [mm]	unassembled	assembled
015	2300.015	2310.015	060	2300.060	2310.060	087	2300.087	2310.087
025	2300.025	2310.025	062	2300.062	2310.062	090	2300.090	2310.090
030	2300.030	2310.030	065	2300.065	2310.065	100	2300.100	2310.100
038	2300.038	2310.038	070	2300.070	2310.070	103	2300.103	2310.103
040	2300.040	2310.040	075	2300.075	2310.075	110	2300.110	2310.110
050	2300.050	2310.050	077	2300.077	2310.077	120	2300.120	2310.120
057	2300.057	2310.057	080	2300.080	2310.080	125	2300.125	2310.125



Separator R6.40.01 (e-tubes only)

For e-tubes R6.40. The notches on this separator mark the side that fixes to the lid.



Full-width shelf 110.X

This option makes sense in applications with many thin cables with similar diameters. For a consequent subdivision. Full-width shelves can be arranged at 7 different heights (in 5 mm increments).

Full-width shelves

Width X [mm]	unassembled	assembled
050	110.50	111.50

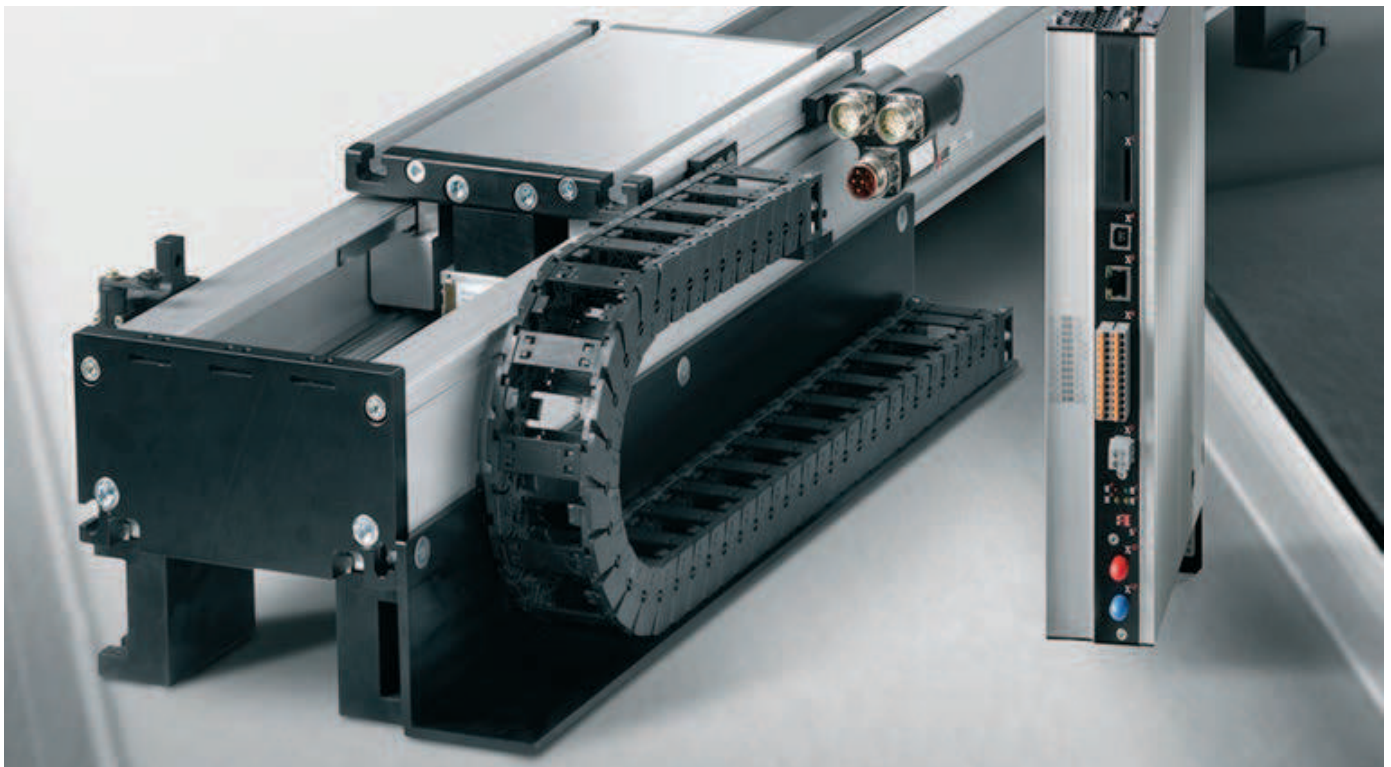
Separator with integrated strain relief

Strain relief separator Part No. E6.40.02.Z can be integrated into the mounting bracket and can be placed there at any point of the e-chain®. It combines strain relief and interior separation ● For the use in the first or last e-chain® link ● Easy to assemble without any screws. **More information ► from page 676**



Optional: Support tray tool kit. For support of the lower run.

Simple one-piece support trays according to your requirements and specification. **The complete range with order options ► from page 740**



igus® System E6 on a linear drive for high speeds