

...E6.29
crossbars every 2nd link

...R6.29
fully enclosed

e-chains® | Series E6.29 crossbars every 2nd link (crossbars removable along both radii)
e-tubes | Series R6.29 fully enclosed (lids can be removed along inner and outer radius)

Part No.	<i>Bi</i>	<i>Ba</i>	E6.29	R6.29
e-chains® / e-tubes	[mm]	[mm]	[kg/m]	[kg/m]
E6.29. R6.29. 030. R.0	30	46	0,73	0,80
E6.29. R6.29. 040. R.0	40	56	0,75	0,85
E6.29. R6.29. 050. R.0	50	66	0,78	0,89
E6.29. R6.29. 060. R.0	60	76	0,80	0,94
E6.29. R6.29.* 070. R.0	70	86	0,83	0,97
E6.29. R6.29. 080. R.0	80	96	0,85	1,03

Part No.	<i>Bi</i>	<i>Ba</i>	E6.29	R6.29
e-chains® / e-tubes	[mm]	[mm]	[kg/m]	[kg/m]
E6.29. R6.29.* 090. R.0	90	106	0,88	1,08
E6.29. R6.29.* 100. R.0	100	116	0,90	1,13
E6.29. R6.29. 110. R.0	110	126	0,93	1,18
E6.29. R6.29. 120. R.0	120	136	0,95	1,22
E6.29. - 140. R.0	140	156	1,00	-

*Width available upon request, please consult igus® for delivery time!

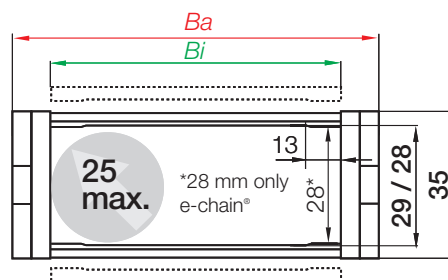
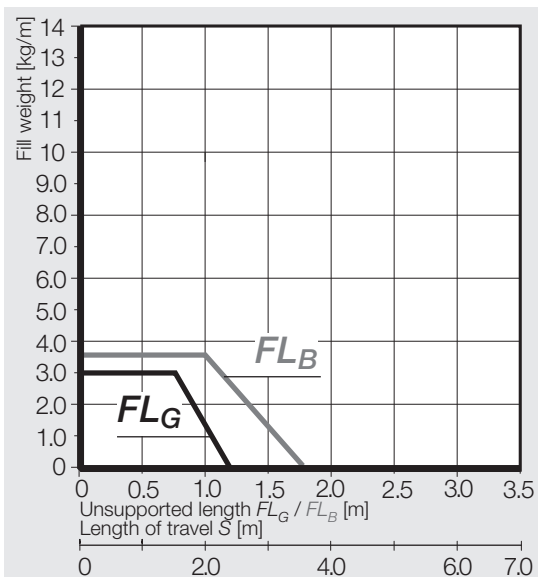
Available bending radii *R* [mm] 055 | 075 | 100 | 150

Supplement Part No. with required radius (*R*). Examples:

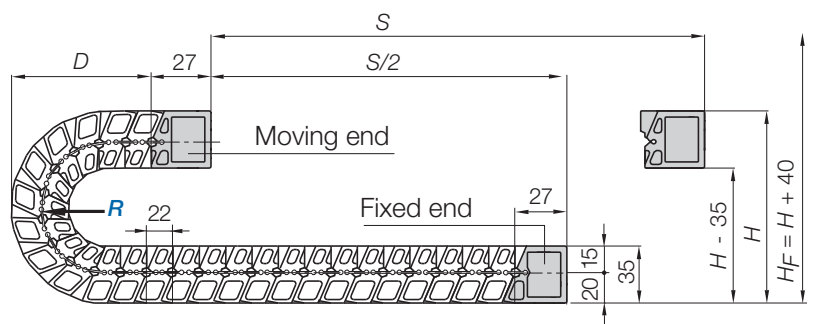
E6.29.080.100.0 = e-chain® with crossbars every 2nd link, inner width *Bi* 80 mm, radius *R* 100 mm, color black

R6.29.080.100.0 = e-tube fully enclosed, inner width *Bi* 80 mm, radius *R* 100 mm, color black

Dimensions



- Inner height
- e-chain® 29 mm
- e-tube 28 mm
- Pitch 22 mm/link
- Links/m 46 (1012 mm)
- Chain length $S/2 + K$



<i>R</i>	055	075	100	150
<i>H</i>	180	220	270	370
<i>D</i>	108	128	153	203
<i>K</i>	220	280	360	520

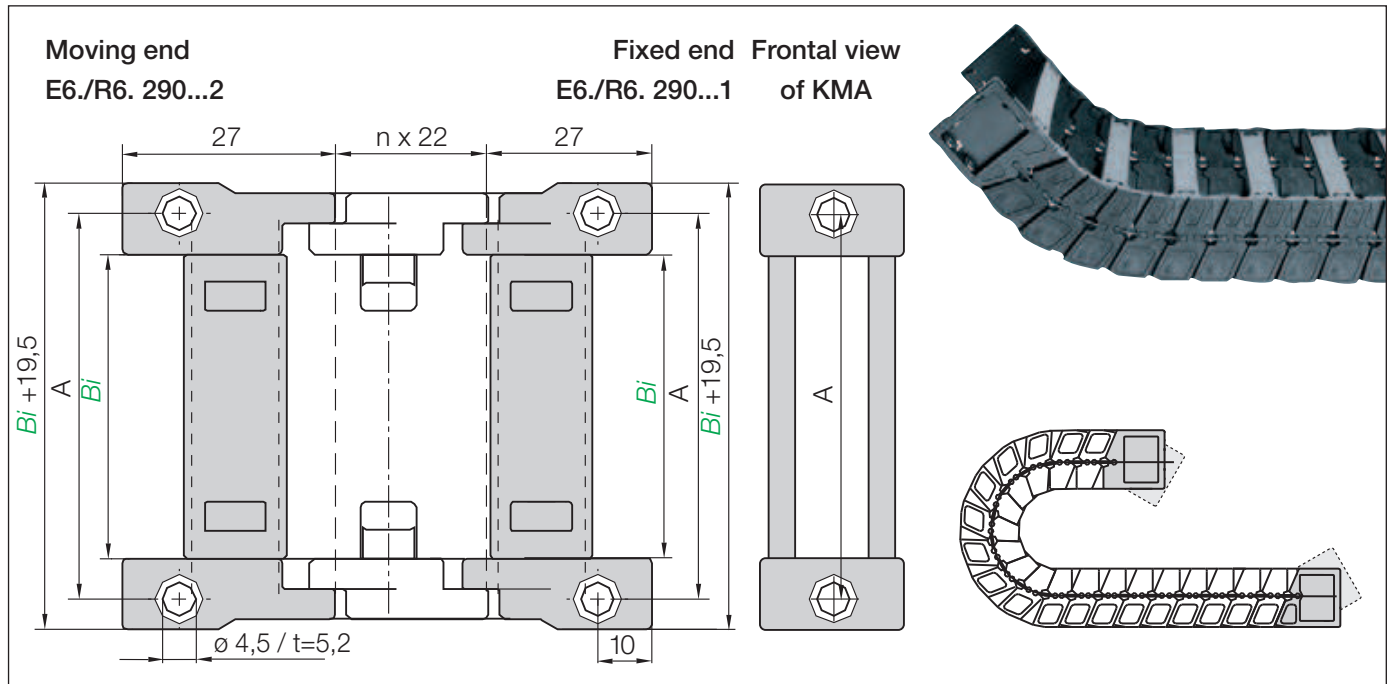
The required clearance height: $H_F = H + 40$ mm (with 2,0 kg/m fill weight)



▶ 656



▶ 700

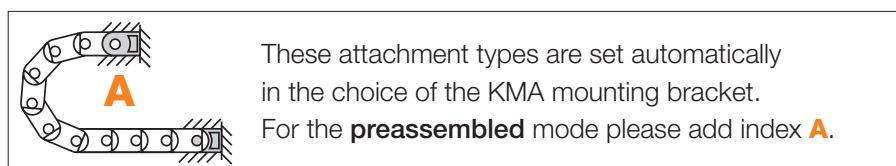


KMA pivoting | Recommended for unsupported applications | Standard

Width Index	Part No. full set KMA pivoting:	Dim. A [mm]	Bi [mm]	Width Index	Part No. full set KMA pivoting:	Dim. A [mm]	Bi [mm]
030.	▶ E6.290. R6.290. 030. 12	40	30	090.	▶ E6.290. R6.290.* 090. 12	100	90
040.	▶ E6.290. R6.290. 040. 12	50	40	100.	▶ E6.290. R6.290.* 100. 12	110	100
050.	▶ E6.290. R6.290. 050. 12	60	50	110.	▶ E6.290. R6.290. 110. 12	120	110
060.	▶ E6.290. R6.290. 060. 12	70	60	120.	▶ E6.290. R6.290. 120. 12	130	120
070.	▶ E6.290. R6.290. 070. 12	80	70	140.	▶ E6.290. - 140. 12	150	140
080.	▶ E6.290. R6.290. 080. 12	90	80				

(KMA = Polymer Metal Mounting Bracket)

*Available upon request, please consult igus® for delivery time!

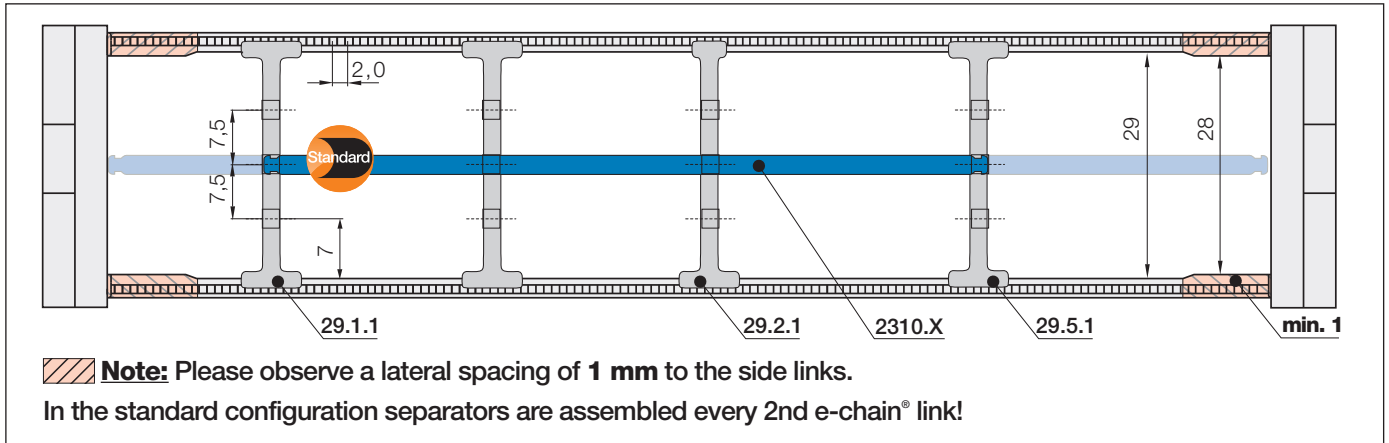



E6.290.080.12A Part No. structure

A... must be indicated on preassembled configurations

- Full set
- Width index
- Series

Strain relief e.g. clamps, tiwrap plates, nuggets and plug-in clips are available from stock. The complete chainfix range with order options ▶ from page 656





Standard separator, wide base

unassembled	29.1
assembled	29.1.1

Standard - for all applications

Separator with a wide base for maximum locking strength and safe standing in e-chains®.




Separator, narrow head

unassembled	29.2
assembled	29.2.1

For even faster installation

Firm hold to one side with a wide base, narrow on opposed side for easy cable assembly (slight grip).




Notch separator for notch crossbar*

unassembled	29.5
assembled	29.5.1

Locks safely in 2 mm increments

Notch separator for exact positioning in e-chains®. Recommended for side-mounted applications.



Full-width shelf, lockable

unassembled	2300.X
assembled	2310.X

Horizontal separation

Shelf locks safely into separators on both ends, fixed width possible. Separators can be moved freely over the shelf in horizontal direction. Can be arranged at 3 different heights.

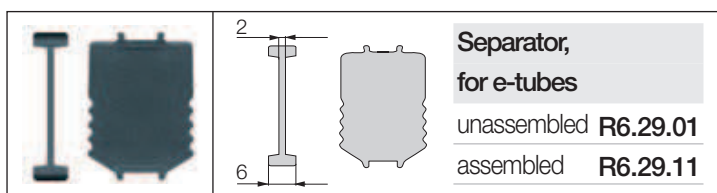
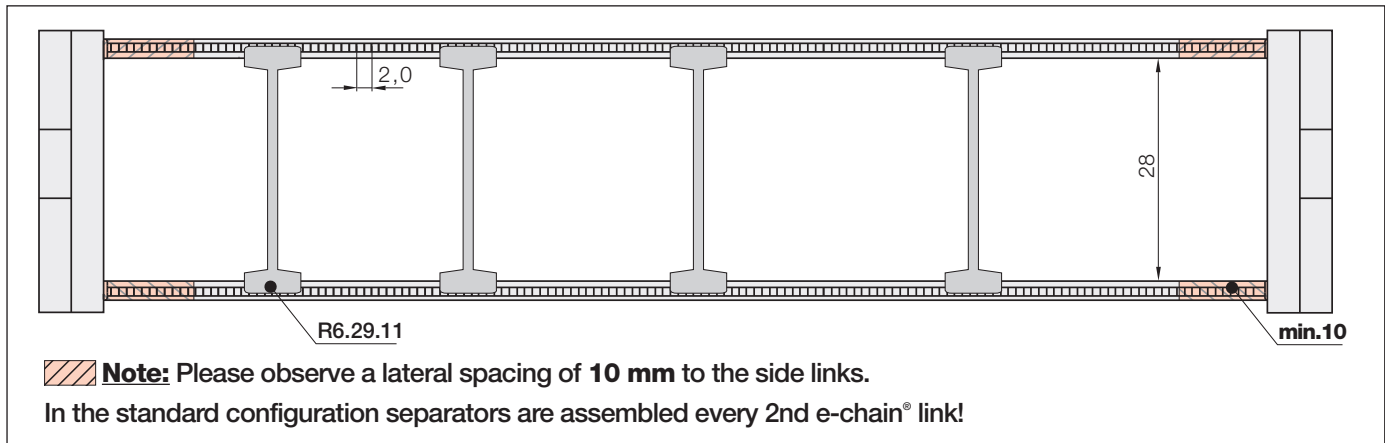


Lockable full-width shelves - for the standard interior separation

Width X [mm]	unassembled	assembled	Width X [mm]	unassembled	assembled	Width X [mm]	unassembled	assembled
015	2300.015	2310.015	060	2300.060	2310.060	087	2300.087	2310.087
025	2300.025	2310.025	062	2300.062	2310.062	090	2300.090	2310.090
030	2300.030	2310.030	065	2300.065	2310.065	100	2300.100	2310.100
038	2300.038	2310.038	070	2300.070	2310.070	103	2300.103	2310.103
040	2300.040	2310.040	075	2300.075	2310.075	110	2300.110	2310.110
050	2300.050	2310.050	077	2300.077	2310.077	120	2300.120	2310.120
057	2300.057	2310.057	080	2300.080	2310.080	125	2300.125	2310.125

Interior separation | Only for e-tubes

Previous interior separation with optional elements ► www.igus.eu/E6.29

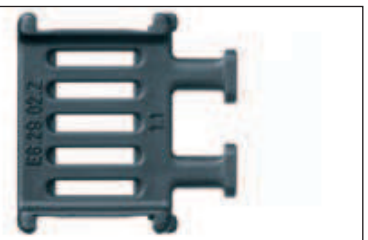


Separator R6.29.01 (e-tubes only)

For e-tubes R6.29. The notches on this separator mark the side that fixes to the lid.

Separator with integrated strain relief

Strain relief separator Part No. **E6.29.02.Z** (for e-chains®) and **R6.29.02.Z** (for e-tubes) can be integrated into the mounting bracket and can be placed there at any point of the e-chain®. It combines strain relief and interior separation ● For the use in the first or last e-chain® link ● Easy to assemble without any screws.
More information ► from page 676



Optional: Support tray tool kit.

For support of the lower run.

Simple one-piece support trays according to your requirements and specification.
The complete range with order options ► from page 740

