

		Open slotted separator for e-chains® unassembled 6405 assembled 6415
		Open slotted separator for e-tubes unassembled 6005 assembled 6015
		Middle plate for e-chains® unassembled 6403 assembled 6413
		Middle plate for e-tubes unassembled 6003 assembled 6013
		Side plate for e-chains®/e-tubes unassembled 6002 assembled 6012
		Shelf (18-149 mm) unassembled 420.X assembled 421.X

Open, slotted separator 6405 (unilateral open)

Fast assembly - can be retrofitted into an existing interior separation system without a need for dismantling the interior separators. During an installation of open slotted separators, the top and bottom notches cannot be occupied by shelves. e-chains® only!

Open, slotted separator 6005

(e-tubes only, unilateral open)

Works like open, slotted separator 6405 on e-tube 1608

Middle plate 6403 (e-chains® only)

To achieve a modular shelving shelf 420.X can be arranged at 15 different heights (in 7 mm increments).

Middle plate 6003 (e-tubes only)

Works like middle plate 6403 on e-tube 1608

Side plate 6002 (e-chains®/e-tubes)

Works like middle plate.

Allows modular shelving close to the side links.

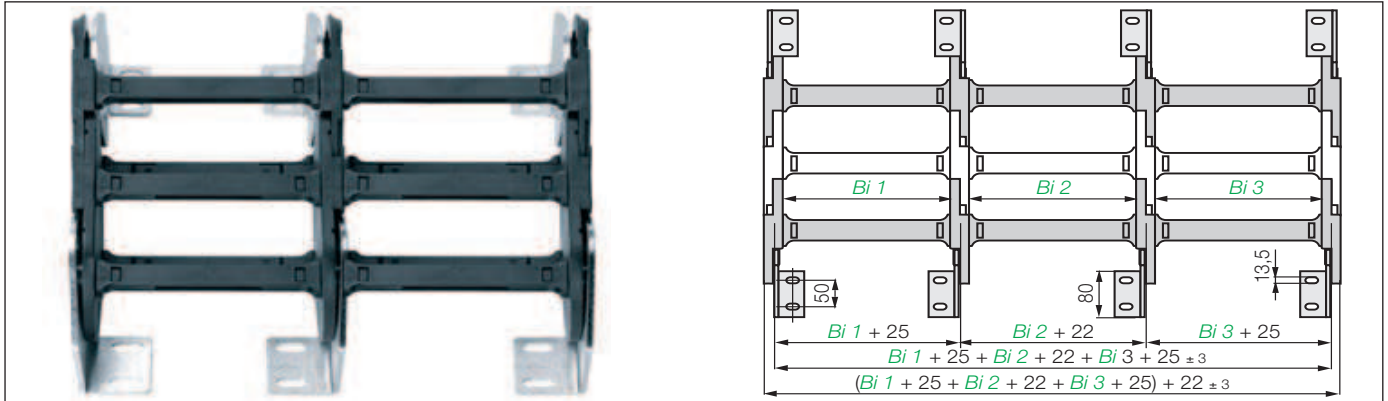
Shelf 420.X

For horizontal separation. Shelves of various widths can be arranged at 15 different heights (in 7 mm increments). - see table below.

Shelves

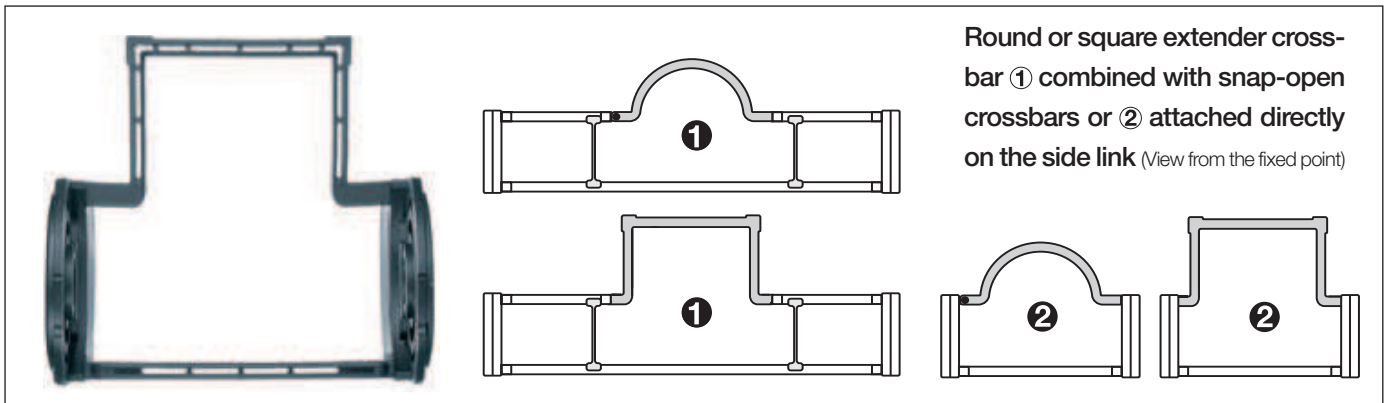
Width X [mm]	unassembled	assembled	Width X [mm]	unassembled	assembled	Width X [mm]	unassembled	assembled
018	420.18	421.18	033	420.33	421.33	075	420.75	421.75
023	420.23	421.23	043	420.43	421.43	088	420.88	421.88
025	420.25	421.25	050	420.50	421.50	100	420.100	421.100
028	420.28	421.28	062	420.62	421.62	125	420.125	421.125

Extension links | Extender crossbars



Extension links | For extremely wide e-chains® up to 3,0 m

- Virtually limitless side-by-side attachment for high fill weights necessitate extremely wide e-chains® (up to 3000 mm)
- The unsupported length FL_G max. can be increased when additional loads are required



Extender crossbars | Safe guiding for large hoses

- Suitable for hoses with a maximum outer diameter of 245 mm
- Gliding with crossbars assembled along outer radius and a special guide trough
- Extender crossbar ① for snap-open crossbars or ② attached directly on the side link

Part No. single part	Max Ø [mm] hose	Form	② Installation on side link	① Combination with snap-open crossbars
450.15.RHD115	115	○ round	no	yes
450.17.RD115	115	○ round	yes	no
450.25.D150	150	□ square	yes	no
450.30.D200	200	□ square	yes	no
450.35.D250	250	□ square	yes	no
450.40.D300	300	□ square	yes	no
450.20.HD150	150	□ square	no	yes
450.25.HD200	200	□ square	no	yes
450.30.HD250	250	□ square	no	yes

E4 snapclip - clip-on cable binder

- For side-mounted applications
- Serves as a clip-on, lateral guide for hoses and cables on e-chains®
- The loops can be adjusted as required
- Compatible with many E4 e-chains®
- One clip and one locking band are needed for each e-chain® link. The complete range with order options ► www.igus.eu/1640

