

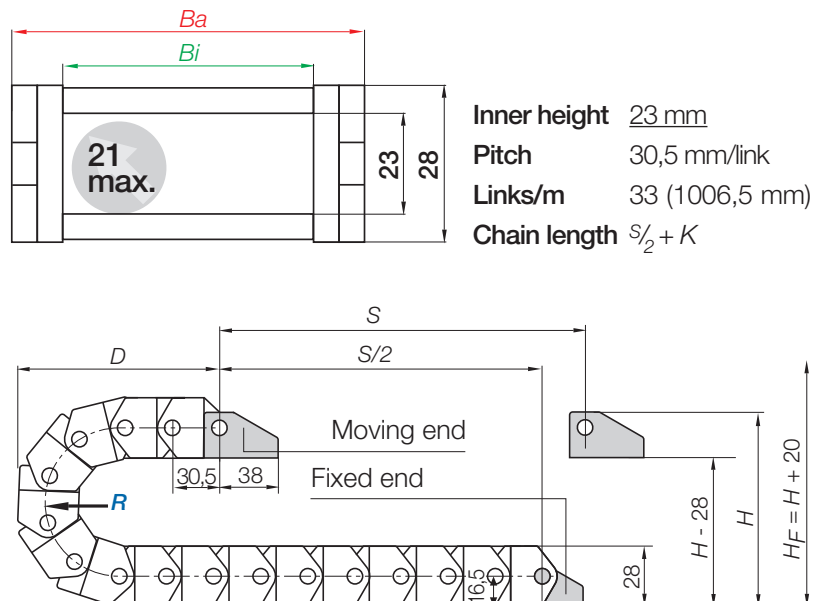
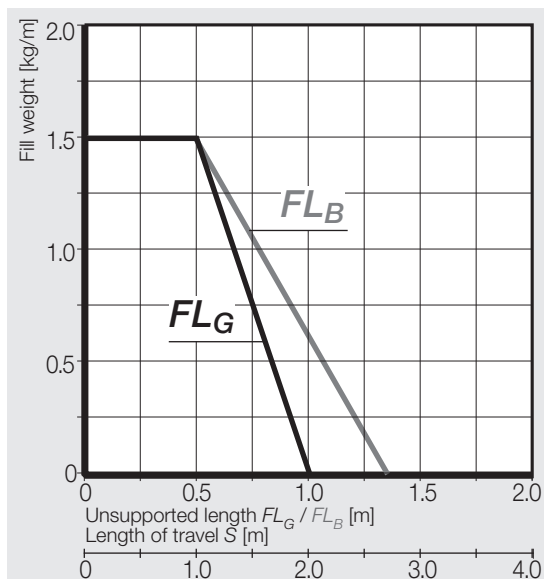


Series 11.031 | One-piece, non snap-open e-chain®

e-chain® non snap-open	<i>Bi</i> [mm]	<i>Ba</i> [mm]	<i>R</i> Bending radii [mm]	Weight [kg/m]
11.031 .R.0	31	41,2	045 070	≈ 0,43

Supplement Part No. with required radius (*R*). Example: **11.031.045.0**

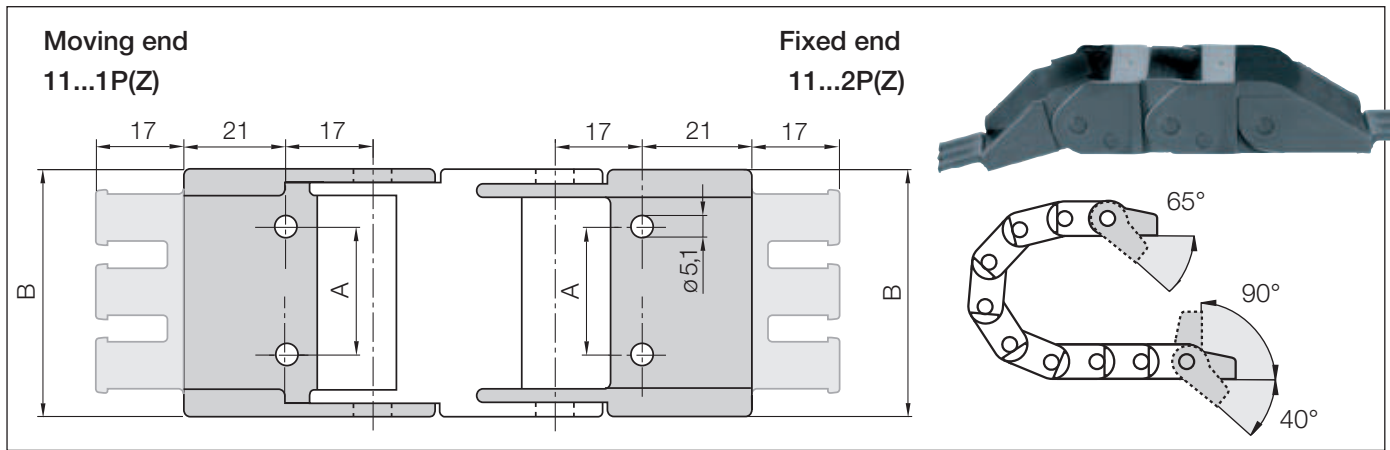
Dimensions



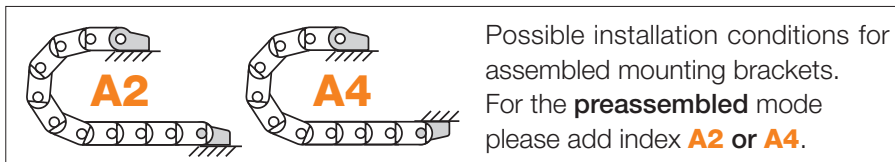
<i>R</i>	045	070
<i>H</i>	123	173
<i>D</i>	107	132
<i>K</i>	205	285

The required clearance height: $H_F = H + 20$ mm (with 0,5 kg/m fill weight)

Mounting brackets, polymer one-piece | pivoting



Width Index	Standard	Part No. full set with tiewrap plates	Part No. full set without tiewrap plates	Dim. A [mm]	Dim. B [mm]	Number of teeth
031. ▶		11.031.12PZ	11.031.12P	16	42	3



Part No. structure

- 11.031. 12 PZ A2** A... must be indicated on preassembled configurations
- With strain relief tiewrap plates
- Full set pivoting**
- Mounting bracket for selected width index