

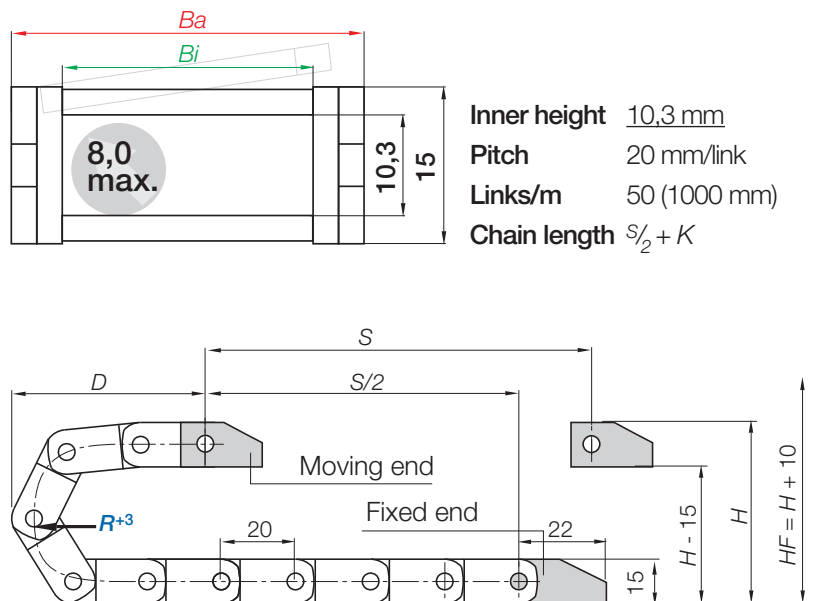
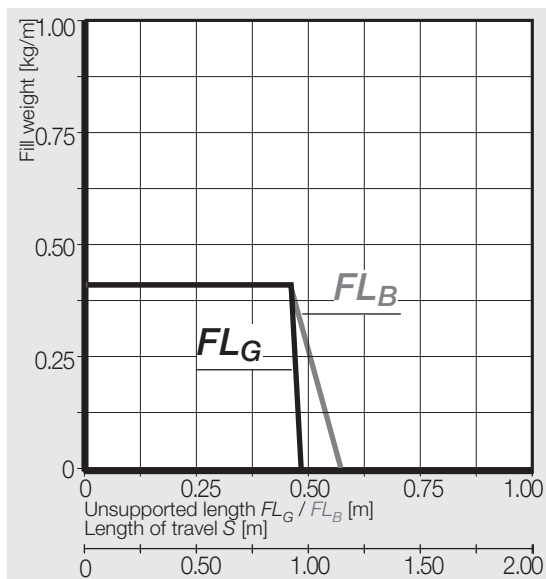


Series B07 | Two-piece link design, snap-open along outer radius

| Snap-open along outer radius | <i>Bi</i> [mm] | <i>Ba</i> [mm] | <i>R</i> Bending radii [mm] | Weight [kg/m] |
|------------------------------|-------------------|-------------------|--------------------------------|------------------|
| B07. 16 .R.0 | 16 | 22,5 | 018 028 038 | ≈ 0,16 |
| B07. 20 .R.0 | 20 | 27 | 018 028 038 | ≈ 0,17 |
| B07. 30 .R.0 | 30 | 37 | 018 028 038 | ≈ 0,20 |
| B07. 40 .R.0 | 40 | 47 | 018 028 038 | ≈ 0,23 |

Supplement Part No. with required radius (*R*). Example: **B07.40.038.0**

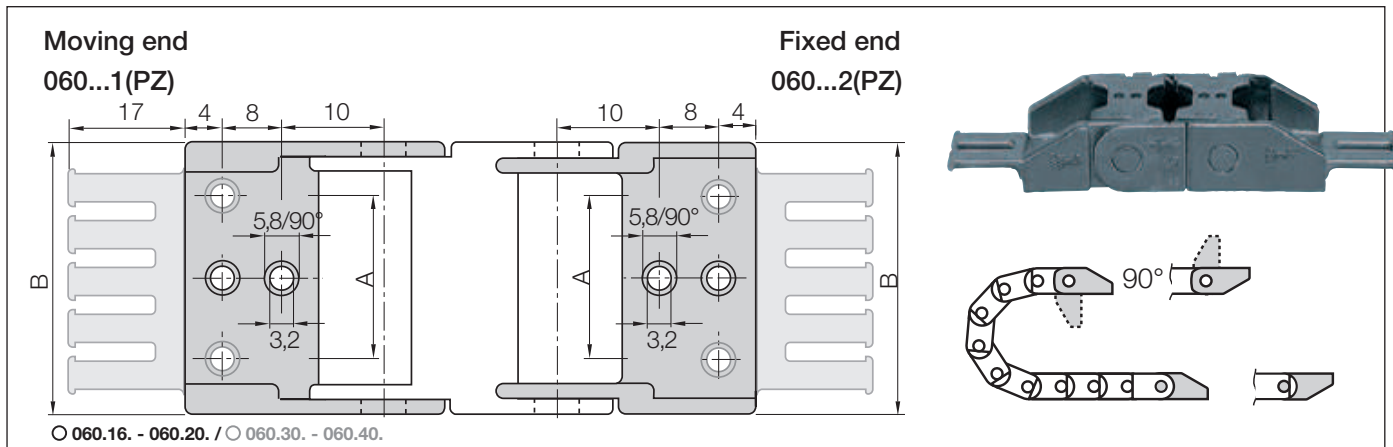
Dimensions



| <i>R</i> | 018 | 028 | 038 |
|----------|-----|-----|-----|
| <i>H</i> | 51 | 71 | 91 |
| <i>D</i> | 56 | 66 | 76 |
| <i>K</i> | 100 | 130 | 160 |

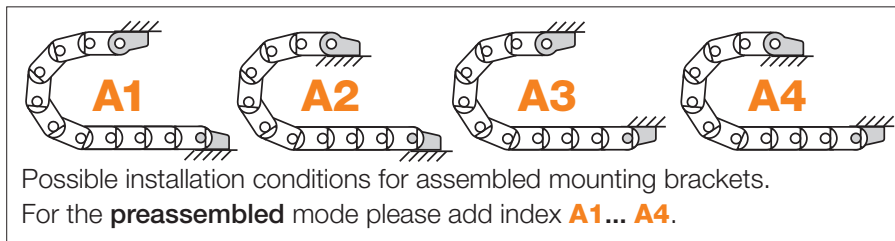
The required clearance height: $H_F = H + 10$ mm (with 0,2 kg/m fill weight)

Mounting brackets, polymer one-piece | locking | More features ► www.igus.eu/B07



| Width Index | Standard | Part No. full set with tie-wrap plates | Part No. full set without tie-wrap plates | Dim. A [mm] | Dim. B [mm] | Number of teeth |
|-------------|----------|--|---|-------------|-------------|-----------------|
| .16. | ► | 060.16. 12PZ | 060.16. 12 | - | 22,5 | 2 |
| .20. | ► | 060.20. 12PZ | 060.20. 12 | - | 27,0 | 2 |
| .30. | ► | 060.30. 12PZ | 060.30. 12 | 22 | 37,0 | 3 |
| .40. | ► | 060.40. 12PZ | 060.40. 12 | 32 | 47,0 | 4 |

○ Drilling pattern for width index: 060.16. - 060.20. center bores only / ○ 060.30. - 060.40. outer bores only (see figure above)



Part No. structure

060.40. 12 PZ A1 A... must be indicated on preassembled configurations

- With strain relief tie-wrap plates
- Full set**
- Mounting bracket for selected width index