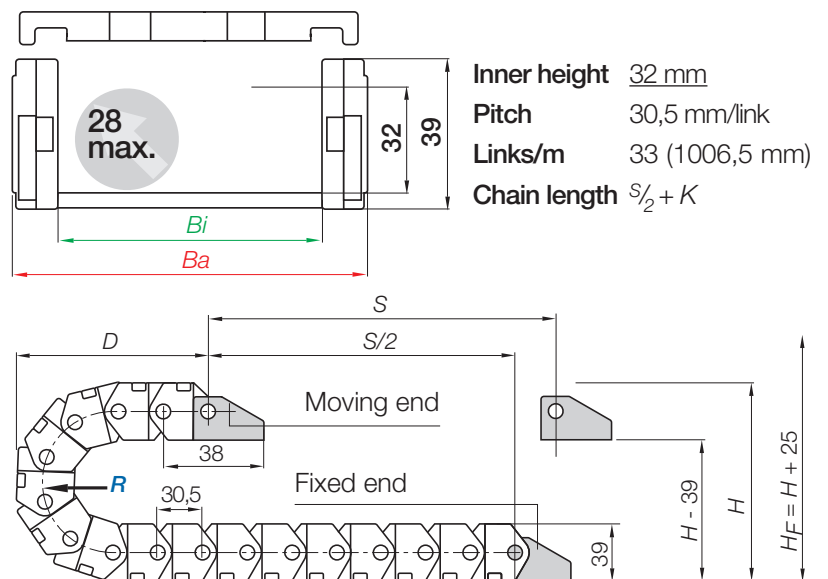
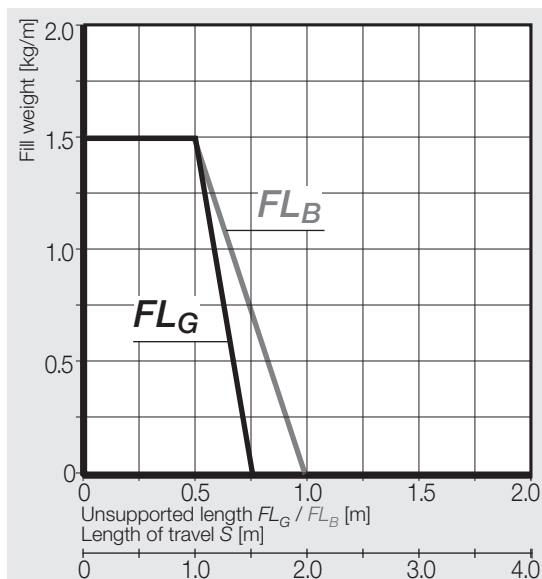


e-chain® | Series 17 | Zip-open along outer radius

| e-chain® zip-open along outer radius | <i>Bi</i> [mm] | <i>Ba</i> [mm] | <i>R</i> Bending radii [mm] | Weight [kg/m] |
|--------------------------------------|-------------------|-------------------|--------------------------------|------------------|
| 17. 1 .R.0 | 15 | 25,5 | 063 075 100 125 | ≈ 0,52 |
| 17. 2 .R.0 | 25 | 35,5 | 063 075 100 125 | ≈ 0,59 |
| 17. 3 .R.0 | 38 | 48,5 | 063 075 100 125 | ≈ 0,65 |
| 17. 4 .R.0 | 50 | 60,5 | 063 075 100 125 | ≈ 0,70 |
| 17. 5 .R.0 | 63 | 76 | 063 075 100 125 | ≈ 0,83 |
| 17. 6 .R.0 | 80 | 93 | 063 075 100 125 | ≈ 0,92 |
| 17. 7 .R.0 | 100 | 113 | 063 075 100 125 | ≈ 1,06 |

Supplement Part No. with required radius (*R*). Example: 17.2.075.0

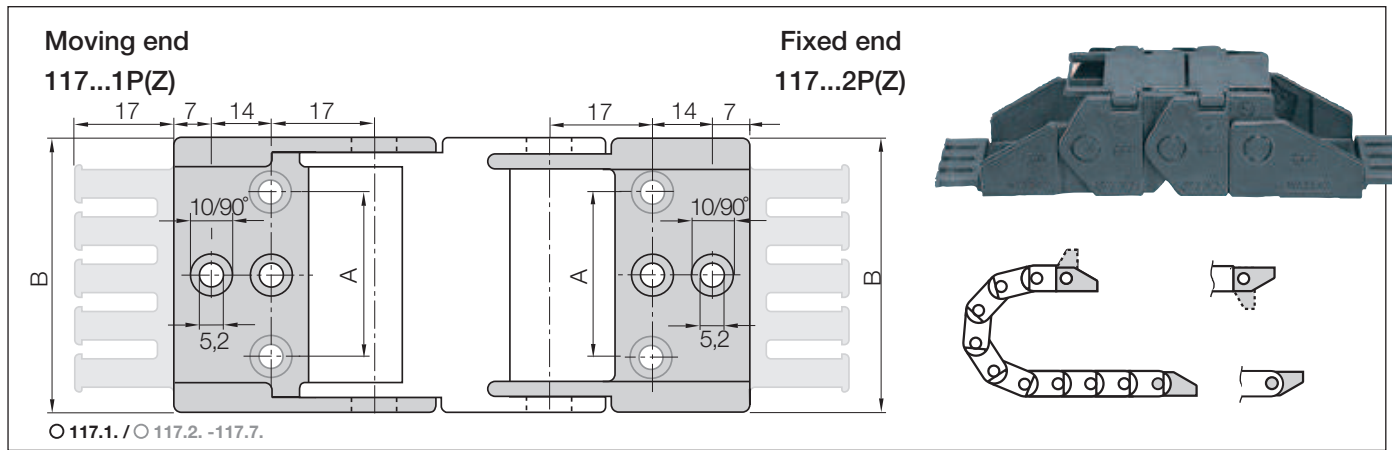
Dimensions



| <i>R</i> | 063 | 075 | 100 | 125 |
|----------|-----|-----|-----|-----|
| <i>H</i> | 165 | 189 | 239 | 289 |
| <i>D</i> | 128 | 140 | 165 | 190 |
| <i>K</i> | 260 | 300 | 380 | 455 |

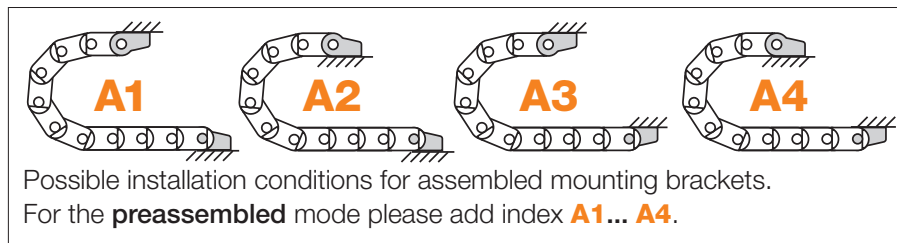
The required clearance height: $H_F = H + 25$ mm (with 1,5 kg/m fill weight)

Mounting brackets, polymer one-piece | locking



| Width Index | Part No. full set with tie-wrap plates | Part No. full set without tie-wrap plates | Dim. A [mm] | Dim. B [mm] |
|-------------|--|---|-------------|-------------|
| 1. | 117.1.12PZ | 117.1.12P | - | 25,5 |
| 2. | 117.2.12PZ | 117.2.12P | 12 | 35,5 |
| 3. | 117.3.12PZ | 117.3.12P | 25 | 48,5 |
| 4. | 117.4.12PZ | 117.4.12P | 37 | 60,5 |
| 5. | 117.5.12PZ | 117.5.12P | 48 | 76 |
| 6. | 117.6.12PZ | 117.6.12P | 65 | 93 |
| 7. | 117.7.12PZ | 117.7.12P | 85 | 113 |

○ Drilling pattern for width index: 117.1. center bores only / ○ 117.2. - 117.7. outer bores only (see figure above)



Part No. structure

117.2. 12 PZ A1

- A... must be indicated on preassembled configurations
- With strain relief tie-wrap plates
- Full set locking
- Mounting bracket for selected width index

Interior separation | Standard | Further interior separation elements ► www.igus.eu/17

| | | |
|--|--|--|
| | | Slotted separator for 17.1 up to 17.4 unassembled 171 assembled 172 |
| | | Slotted separator for 17.5 bis 17.7 unassembled 173 assembled 174 |
| | | Full-width shelf for e-chains® unassembled 110.X assembled 111.X |

Slotted separator 171 (17.1 up to 17.4)

Is used when vertical separation is required. Due to its slot, it allows basic vertical/horizontal shelving arrangements.

Slotted separator 173 (17.5 up to 17.7)

Is used when vertical separation is required. Due to its slot, it allows basic vertical/horizontal shelving arrangements.

Full-width shelf 110.X (for all widths)

This option makes sense in applications with many thin cables with similar diameters. For a consequent subdivision. Full-width shelves can be arranged at 5 different heights (in 5 mm increments).

Full-width shelves

| Width X [mm] | unassembled | assembled | Width X [mm] | unassembled | assembled | Width X [mm] | unassembled | assembled |
|--------------|-------------|-----------|--------------|-------------|-----------|--------------|-------------|-----------|
| 015 | 110.15 | 111.15 | 050 | 110.50 | 111.50 | 100 | 110.100 | 111.100 |
| 025 | 110.25 | 111.25 | 063 | 110.63 | 111.63 | | | |
| 038 | 110.38 | 111.38 | 080 | 110.80 | 111.80 | | | |