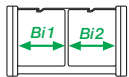
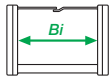


Series E200 | Split crossbar along the outer radius | 1 / 2-chamber system
Series Z200 | Split crossbar along the inner radius | 1 / 2-chamber system

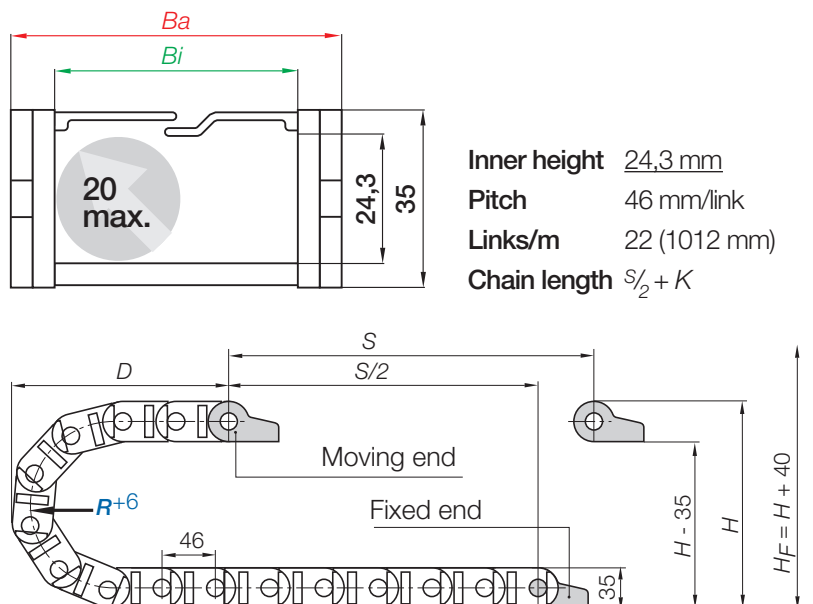
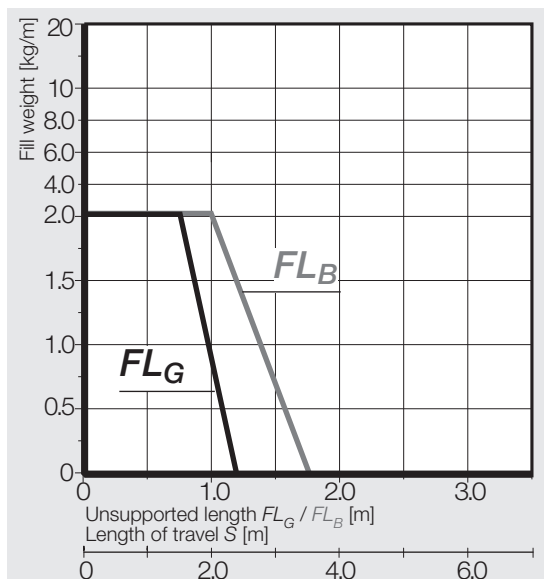
Chamber system	Split crossbar along outer radius	Split crossbar along inner radius	<i>Bi</i> [mm]	<i>Ba</i> [mm]	<i>R</i> Bending radii [mm]	Weight [kg/m]
1-chamber	E200.05.R.0	Z200.05.R.0	57	74,4	055 075 100 150 200	≈ 0,70
2-chamber	E200.2/35.R.0	Z200.2/35.R.0	37/37	94,4	055 075 100 150 200	≈ 0,79
	E200.2/50.R.0	Z200.2/50.R.0	50/50	120,4	055 075 100 150 200	≈ 0,82



Supplement Part No. with required radius (*R*). Example: E200.05.150.0

Ba: pin dimension approx. 0,1 - 0,3 mm wider.

Dimensions



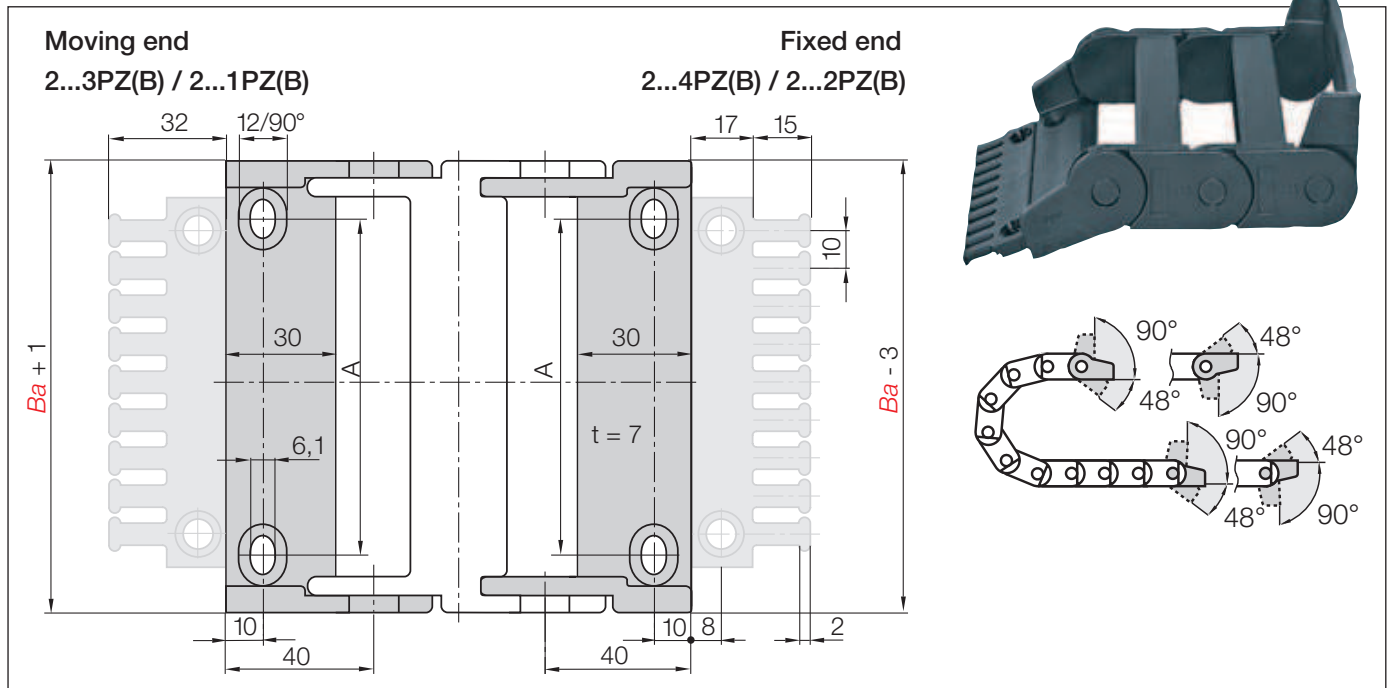
Inner height 24,3 mm
Pitch 46 mm/link
Links/m 22 (1012 mm)
Chain length $S/2 + K$

<i>R</i>	055	075	100	150	200
<i>H</i> +4	145	185	235	335	435
<i>D</i>	142	162	187	237	287
<i>K</i>	265	330	410	565	725

The required clearance height: $H_F = H + 40$ mm (with 2,0 kg/m fill weight)



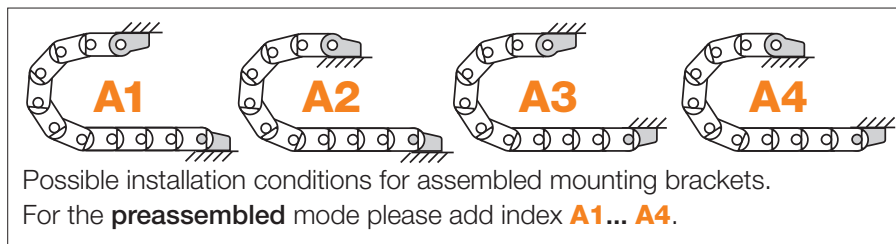
Mounting brackets, polymer | pivoting | locking



Width Index	Standard	Part No. full set pivoting:		Part No. full set locking:		Dim. A [mm]	Number of teeth
		with tie-wrap plates	without tie-wrap plates	with tie-wrap plates	without tie-wrap plates		
.05.	▶	2050.34PZB	2050.34PZ	2050.12PZB	2050.12PZ	44	6
.2/35.	▶	2070.34PZB	2070.34PZ	2070.12PZB	2070.12PZ	64	8
.2/50.	▶	2100.34PZB	2100.34PZ	2100.12PZB	2100.12PZ	90	10

Material mounting bracket - igumid G, temperature: -40° up to +120° C, VDE 0304 IIC UL94-HB

Full set with tie-wrap plate + 10 cable tie-wraps, please add index **K1** ▶ e.g. 2050.34PZBK1



Part No. structure

2050.34PZB A1 A... must be indicated on preassembled configurations

With strain relief tie-wrap plates

Full set pivoting

Mounting bracket for selected width index