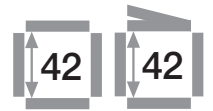


# E4.1 | Series E4.42 | Delivery program

Stable due to undercut design, medium inner height



**e-chains® | Series E4.42 crossbars every link** (crossbars removable along both radii)  
**e-chains® | Series H4.42 crossbars every 2<sup>nd</sup> link** (crossbars removable along both radii)  
**e-tubes | Series R4.42 fully enclosed** (hinged snap-open removable lids along outer radius)

Part No. e-chains® / e-tubes	Bi [mm]	Ba [mm]	E4.42 [kg/m]	H4.42 [kg/m]	R4.42 [kg/m]
E4. H4. R4.1)42. 05. R.0	50	76	1,923	1,804	2,150
E4. H4. - 42. 06. R.0	68	94	2,031	1,858	-
E4. H4. R4. 42. 07. R.0	75	101	2,059	1,872	2,280
E4. H4. R4. 42. 087R.0	87	114	2,119	1,903	2,410
E4. H4. - 42. 097R.0	97	120	2,135	1,919	-
E4. H4. R4. 42. 10. R.0	100	126	2,188	1,973	2,520
E4. H4. R4. 42. 11. R.0	108	134	2,235	1,960	2,570
E4. H4. - 42. 112R.0	112	139	2,247	1,966	-
E4. H4. R4. 42. 12. R.0	125	151	2,341	2,014	2,730
E4. H4. - 42. 137R.0	137	164	2,385	2,035	-
E4. H4. R4. 42. 15. R.0	150	176	2,460	2,073	2,980
E4. H4. - 42. 162R.0	162	189	2,484	2,085	-
E4. H4. R4. 42. 17. R.0	168	194	2,553	2,119	3,150
E4. H4. - 42. 18. R.0	175	201	2,571	2,128	-
E4. H4. - 42. 187R.0	187	214	2,610	2,148	-
E4. H4. R4. 42. 20. R.0	200	226	2,715	2,200	3,450

Part No. e-chains® / e-tubes	Bi [mm]	Ba [mm]	E4.42 [kg/m]	H4.42 [kg/m]	R4.42 [kg/m]
E4. H4. - 42. 212R.0	212	239	2,757	2,221	-
E4. H4. - 42. 23. R.0	225	251	2,841	2,263	-
E4. H4. - 42. 237R.0	237	264	2,865	2,275	-
E4. H4. R4. 42. 25. R.0	250	276	2,979	2,332	4,250
E4. H4. - 42. 262R.0	262	289	3,048	2,367	-
E4. H4. - 42. 28. R.0	275	301	3,108	2,397	-
E4. H4. - 42. 29. R.0	287	314	3,136	2,411	-
E4. H4. R4. 42. 30. R.0	300	326	3,243	2,464	4,890
E4. H4. - 42. 312R.0	312	339	3,262	2,474	-
E4. H4. - 42. 325R.0	325	351	3,348	2,517	-
E4. H4. - 42. 337R.0	337	364	3,399	2,542	-
E4. H4. - 42. 350R.0	350	376	3,588	2,637	-
E4. H4. - 42. 362R.0	362	389	3,669	2,677	-
E4. H4. - 42. 375R.0	375	402	3,730	2,708	-
E4. H4. - 42. 387R.0	387	414	3,786	2,736	-
E4. H4. - 42. 400R.0	400	426	3,840	2,763	-

\*Radius not available for e-tubes 1) Removable lid only, no hinged option

Available bending radii *R* [mm] 075\* | 100\* | 115\* | 125 | 150 | 160 | 175 | 200 | 250 | 300 | 350

Supplement Part No. with required radius (*R*). Examples:

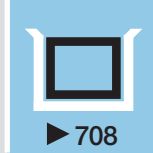
E4.42.30.300.0 = e-chain® with **crossbars every link**, inner width *Bi* 300 mm, radius *R* 300 mm, color black

H4.42.30.300.0 = e-chain® with **crossbars every 2<sup>nd</sup> link**, inner width *Bi* 300 mm, radius *R* 300 mm, color black

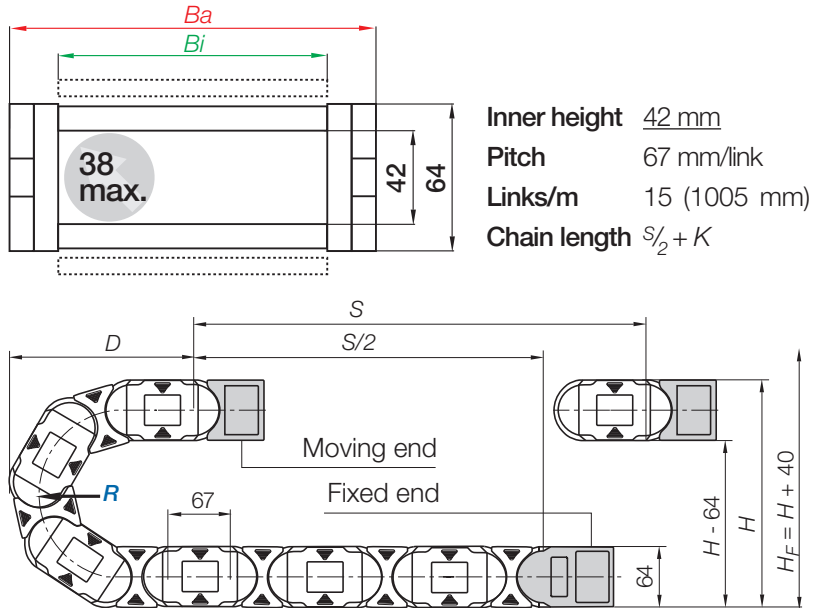
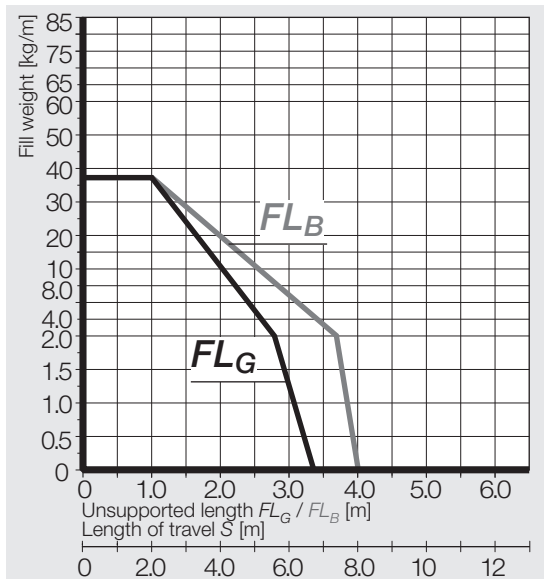
R4.42.30.300.0 = e-tube **fully enclosed**, inner width *Bi* 300 mm, radius *R* 300 mm, color black



ESD/ATEX permanently conductive e-chains® - E4.42 several widths with delivery from stock: Inner widths *Bi* 50 - 200, radii *R* 75 - 250. Full ESD delivery program ► [www.igus.eu/ESD](http://www.igus.eu/ESD)



## Unsupported applications | Short travels

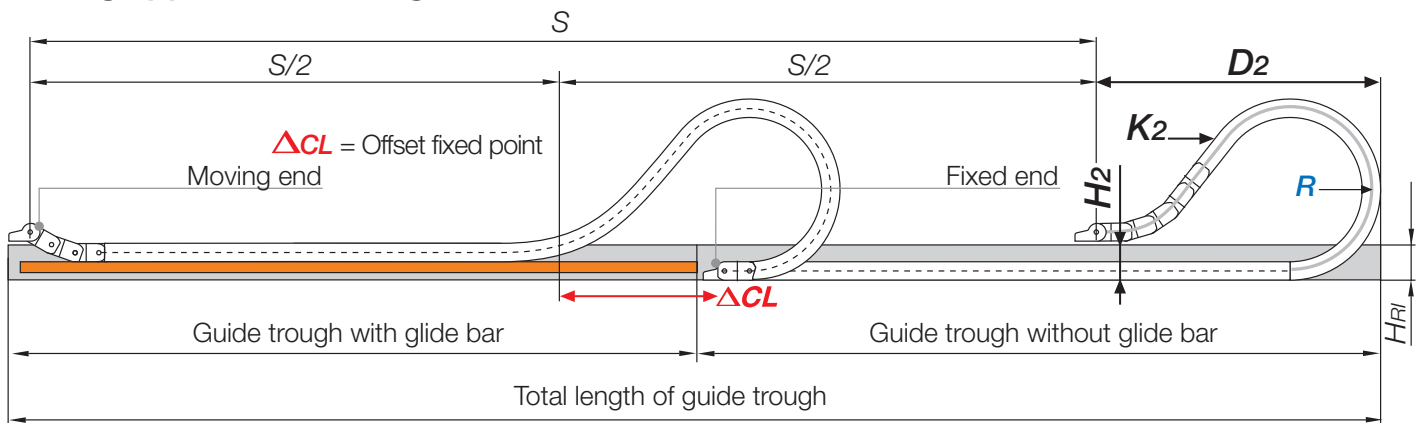


R	075*	100*	115*	125	150	160	175	200	250	300	350
$H_{+25}^{-0}$	214	264	294	314	364	384	414	464	564	664	764
D	208	233	248	258	283	293	308	333	383	433	483
K	370	450	500	530	610	640	685	765	920	1080	1235

The required clearance height:  $H_F = H + 40$  mm (with 3,0 kg/m fill weight)

\*Radius not available for e-tubes

## Gliding applications | Long travels from 12 m to max. 300 m



**Note:** For long travel applications we recommend to realize the engineering of such a plant by our technicians.

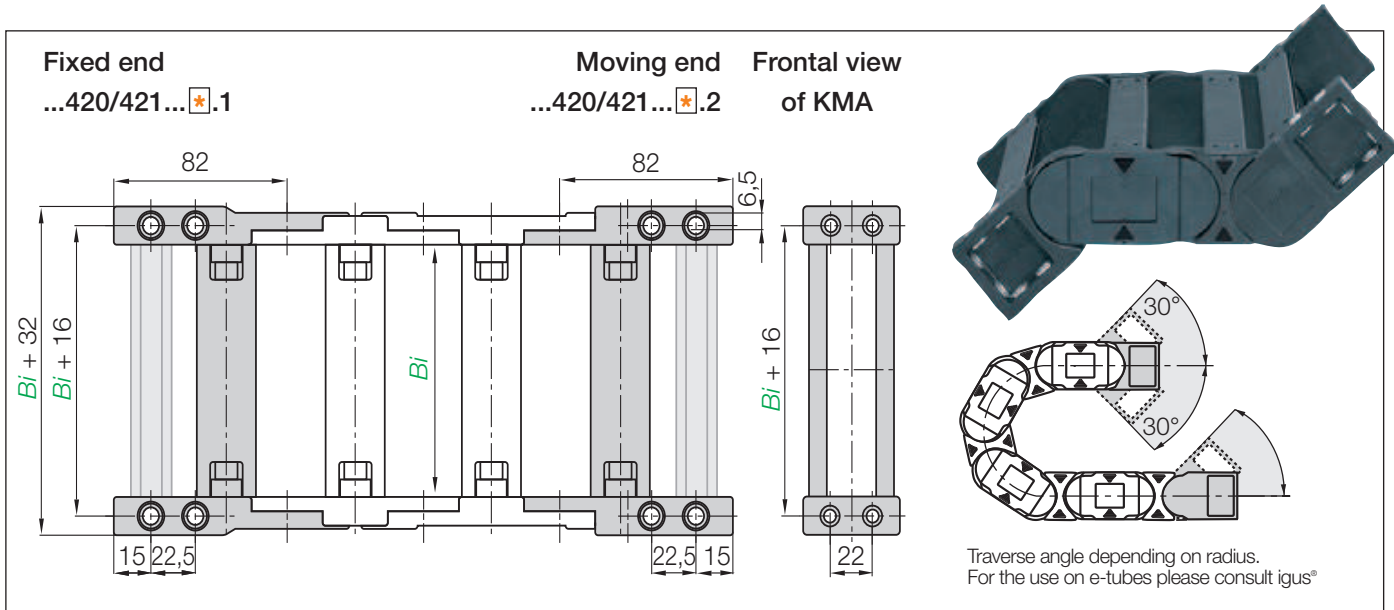
In case of travels between 8 and 12 m we recommend a longer unsupported length. **Chain length**  $S/2 + K_2$

R	075*	100*	115*	125	150	160	175	200	250	300	350
$H_2$	150	200	230	186	186	186	186	186	186	186	186
$D_2^{+25}$	174	199	435	475	570	623	670	780	1030	1150	1500
$K_2$	370	450	737	804	938	1072	1139	1340	1675	1943	2412
$\Delta CL$	-	-	200	230	300	380	380	460	660	730	1030

\*Radius not available for e-tubes

# E4.1 | Series E4.42 | Accessories

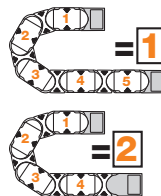
KMA mounting brackets | Attachment on all sides | pivoting | locking



**KMA pivoting** | Recommended for unsupported and gliding applications | **Standard KMA locking** | Recommended for vertical hanging and standing applications

Width Index	Standard	Part No. full set KMA pivoting:	Part No. full set KMA locking:	$Bi$ [mm]	Width Index	Standard	Part No. full set KMA pivoting:	Part No. full set KMA locking:	$Bi$ [mm]
05.	▶	E4. R4. 420.05 . <sup>*</sup> .12.C	E4. R4. 421.05 . <sup>*</sup> .12.C	50	212.	▶	E4. - 420.212 . <sup>*</sup> .12.C	E4. - 421.212 . <sup>*</sup> .12.C	212
06.	▶	E4. - 420.06 . <sup>*</sup> .12.C	E4. - 421.06 . <sup>*</sup> .12.C	68	23.	▶	E4. - 420.23 . <sup>*</sup> .12.C	E4. - 421.23 . <sup>*</sup> .12.C	225
07.	▶	E4. R4. 420.07 . <sup>*</sup> .12.C	E4. R4. 421.07 . <sup>*</sup> .12.C	75	237.	▶	E4. - 420.237 . <sup>*</sup> .12.C	E4. - 421.237 . <sup>*</sup> .12.C	237
087.	▶	E4. R4. 420.087 . <sup>*</sup> .12.C	E4. R4. 421.087 . <sup>*</sup> .12.C	87	25.	▶	E4. R4. 420.25 . <sup>*</sup> .12.C	E4. R4. 421.25 . <sup>*</sup> .12.C	250
09.	▶	E4. - 420.09 . <sup>*</sup> .12.C	E4. - 421.09 . <sup>*</sup> .12.C	97	262.	▶	E4. - 420.262 . <sup>*</sup> .12.C	E4. - 421.262 . <sup>*</sup> .12.C	262
10.	▶	E4. R4. 420.10 . <sup>*</sup> .12.C	E4. R4. 421.10 . <sup>*</sup> .12.C	100	28.	▶	E4. - 420.28 . <sup>*</sup> .12.C	E4. - 421.28 . <sup>*</sup> .12.C	275
11.	▶	E4. R4. 420.11 . <sup>*</sup> .12.C	E4. R4. 421.11 . <sup>*</sup> .12.C	108	29.	▶	E4. - 420.29 . <sup>*</sup> .12.C	E4. - 421.29 . <sup>*</sup> .12.C	287
112.	▶	E4. - 420.112 . <sup>*</sup> .12.C	E4. - 421.112 . <sup>*</sup> .12.C	112	30.	▶	E4. R4. 420.30 . <sup>*</sup> .12.C	E4. R4. 421.30 . <sup>*</sup> .12.C	300
12.	▶	E4. R4. 420.12 . <sup>*</sup> .12.C	E4. R4. 421.12 . <sup>*</sup> .12.C	125	312.	▶	E4. - 420.312 . <sup>*</sup> .12.C	E4. - 421.312 . <sup>*</sup> .12.C	312
137.	▶	E4. - 420.137 . <sup>*</sup> .12.C	E4. - 421.137 . <sup>*</sup> .12.C	137	325.	▶	E4. - 420.325 . <sup>*</sup> .12.C	E4. - 421.325 . <sup>*</sup> .12.C	325
15.	▶	E4. R4. 420.15 . <sup>*</sup> .12.C	E4. R4. 421.15 . <sup>*</sup> .12.C	150	337.	▶	E4. - 420.337 . <sup>*</sup> .12.C	E4. - 421.337 . <sup>*</sup> .12.C	337
162.	▶	E4. - 420.162 . <sup>*</sup> .12.C	E4. - 421.162 . <sup>*</sup> .12.C	162	350.	▶	E4. - 420.350 . <sup>*</sup> .12.C	E4. - 421.350 . <sup>*</sup> .12.C	350
17.	▶	E4. R4. 420.17 . <sup>*</sup> .12.C	E4. R4. 421.17 . <sup>*</sup> .12.C	168	362.	▶	E4. - 420.362 . <sup>*</sup> .12.C	E4. - 421.362 . <sup>*</sup> .12.C	362
18.	▶	E4. - 420.18 . <sup>*</sup> .12.C	E4. - 421.18 . <sup>*</sup> .12.C	175	375.	▶	E4. - 420.375 . <sup>*</sup> .12.C	E4. - 421.375 . <sup>*</sup> .12.C	375
187.	▶	E4. - 420.187 . <sup>*</sup> .12.C	E4. - 421.187 . <sup>*</sup> .12.C	187	387.	▶	E4. - 420.387 . <sup>*</sup> .12.C	E4. - 421.387 . <sup>*</sup> .12.C	387
20.	▶	E4. R4. 420.20 . <sup>*</sup> .12.C	E4. R4. 421.20 . <sup>*</sup> .12.C	200	400.	▶	E4. - 420.400 . <sup>*</sup> .12.C	E4. - 421.400 . <sup>*</sup> .12.C	400

**Note\***: The E4.1 may end with either an inner or an outer side link. An outer side link always forms the first e-chain® link at the moving end. The Part No. depend on an even or odd numbers of links. Please insert: Index **1** (for odd) or **2** (for even). For the **preassembled** mode please add index **A**.



**E4.420.30.2.12.CA** Part No. structure

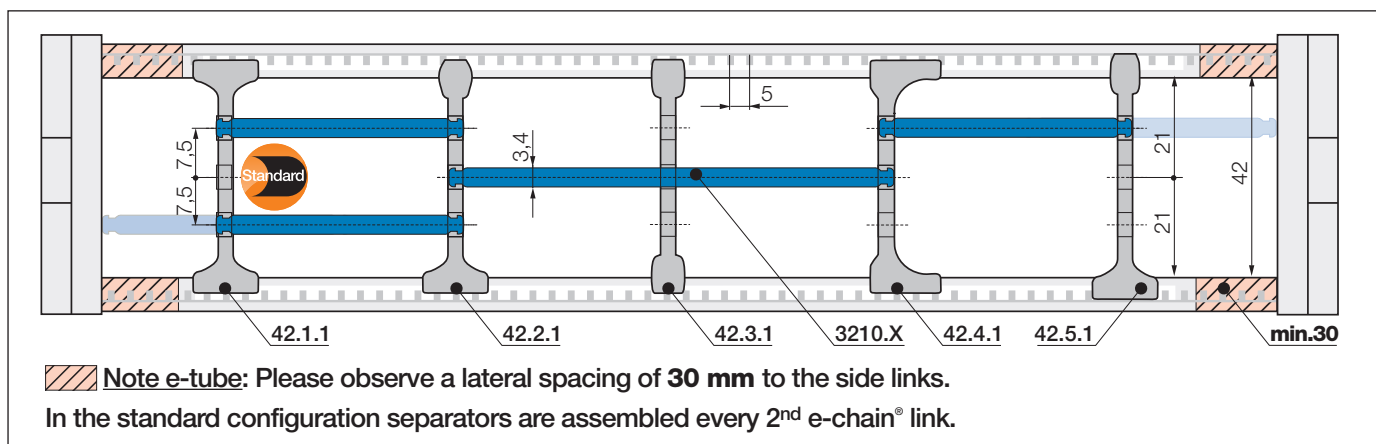

- A... must be indicated on preassembled configurations
- C-profile option
- Full set
- Even numbers of links
- Width index
- Series

**Strain relief** e.g. clamps, tiewrap plates, nuggets and plug-in clips are available from stock. The complete chainfix range with order options ▶ from page 656

# E4.1 | Series E4.42 | Accessories

## Interior separation | New generation

Previous interior separation with optional elements ► [www.igus.eu/E4.42](http://www.igus.eu/E4.42)





**Standard separator, wide base**

unassembled	<b>42.1</b>
assembled	<b>42.1.1</b>

### Standard - for all applications

Separator with a wide base for maximum locking strength and safe standing in e-chains® and e-tubes.




**Separator for QuickLock crossbar**

unassembled	<b>42.2</b>
assembled	<b>42.2.1</b>

### For even faster installation

Separator for igus® QuickLock crossbar 385.X.Q. Firm hold to one side with a wide base, narrow on opposed side for easy cable assembly (slight grip). For e-tubes also.




**Separator, narrow base**

unassembled	<b>42.3</b>
assembled	<b>42.3.1</b>

### For many thin cables

Separator with a narrow base for a large number of thin cables side by side. Saves space in e-chains® and e-tubes. Also available for QuickLock crossbars.




**Separator, asymmetrical**

unassembled	<b>42.4</b>
assembled	<b>42.4.1</b>

### For side-mounted applications

Asymmetrical separator, for defined distance. No additional spacers necessary for e-chains® and e-tubes.




**Notch separator for notch crossbar**

unassembled	<b>42.5</b>
assembled	<b>42.5.1</b>

### Locks safely in 5 mm increments

Notch separator for exact positioning in e-chains®. Recommended for side-mounted applications.



**Full-width shelf, lockable**

unassembled	<b>3200.X</b>
assembled	<b>3210.X</b>

### Horizontal separation

Shelf locks safely into separators on both ends, fixed width possible. Separators can be moved freely over the shelf in horizontal direction. Can be arranged at 3 different heights.

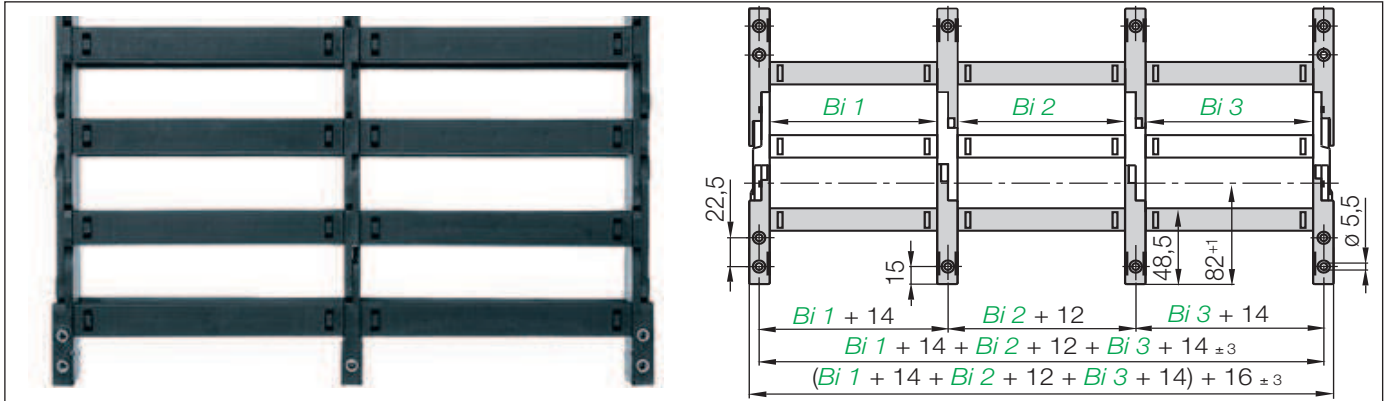
### Lockable full-width shelves



Width X [mm]	unassembled	assembled	Width X [mm]	unassembled	assembled	Width X [mm]	unassembled	assembled
050	3200.050	3210.050	125	3200.125	3210.125	225	3200.225	3210.225
075	3200.075	3210.075	150	3200.150	3210.150	250	3200.250	3210.250
100	3200.100	3210.100	175	3200.175	3210.175			
115	3200.115	3210.115	200	3200.200	3210.200			

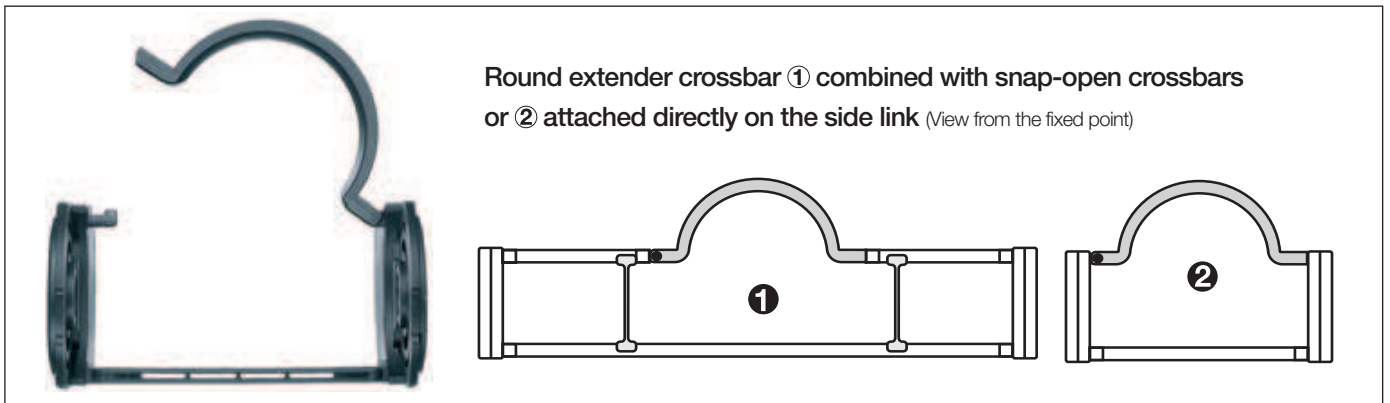
# E4.1 | Series E4.42 | Further Accessories

## Extension links | Extender crossbars



### Extension links | For extremely wide e-chains® up to 3,0 m

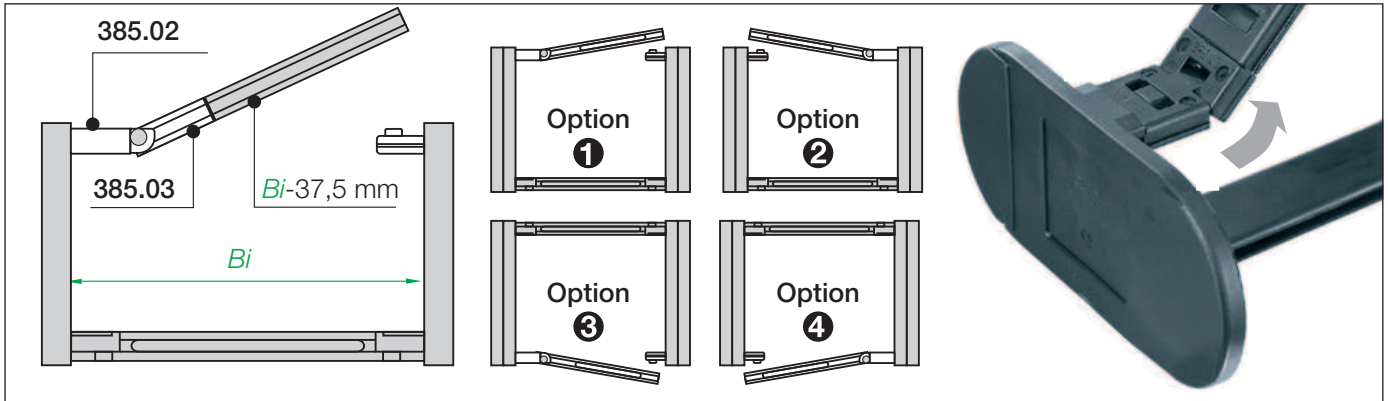
- Virtually limitless side-by-side attachment for high fill weights necessitate extremely wide e-chains® (up to 3000 mm)
- The unsupported length  $FL_G$  max. can be increased when additional loads are required



### Extender crossbars | Safe guiding for large hoses

- Suitable for hoses with a maximum outer diameter of 245 mm
- Gliding with crossbars assembled along outer radius and a special guide trough
- Extender crossbar ① for snap-open crossbars or ② attached directly on the side link

Part No. single part	Max Ø [mm] hose	Form	② Installation on side link	① Combination with snap-open crossbars
385.15.RHD115	105	O round	no	yes
385.18.RD115	105	O round	yes	no



## Hinged crossbars | When snap-open crossbars have to remain attached

- Please consult igus® for design assistance
- Hinged crossbar: Part No. 385.02
- Snap-open crossbar (shortened):  $Bi-37,5$  mm Part No. 385.03 (smallest inner width  $Bi = 87,5$ )

### Optional: Support tray tool kit.

#### For support of the lower run.

Simple one-piece support trays according to your requirements and specification.

The complete range with order options ► from page 740

