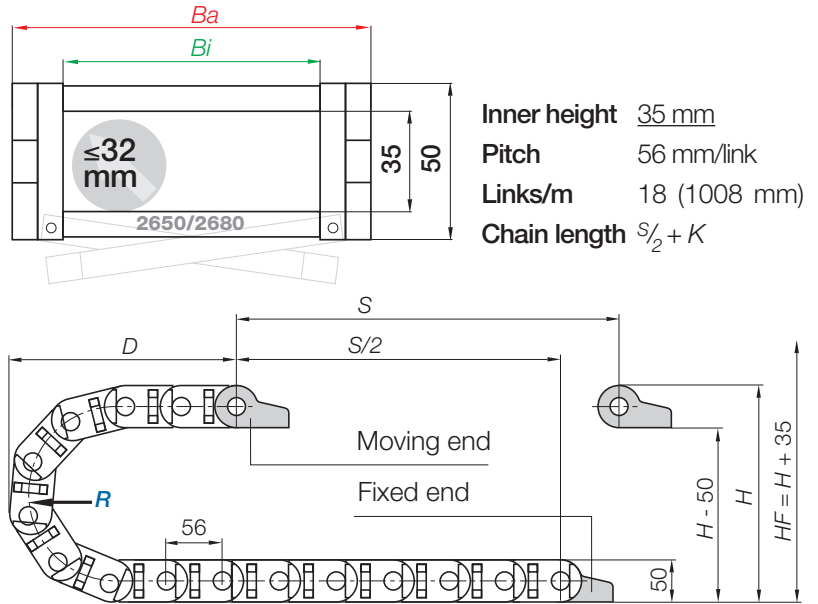
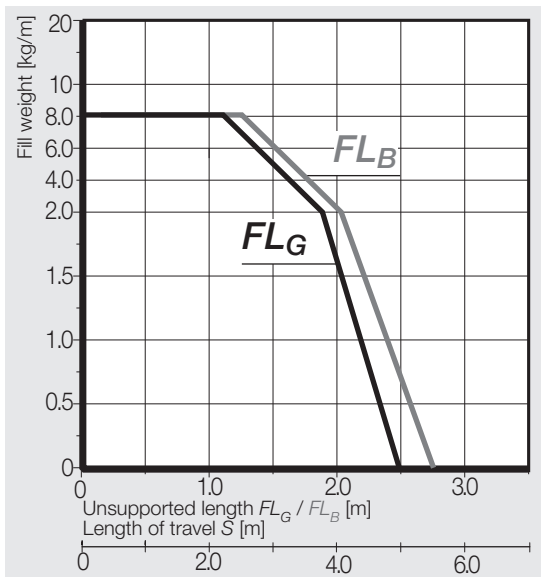




Unsupported applications | Short travels



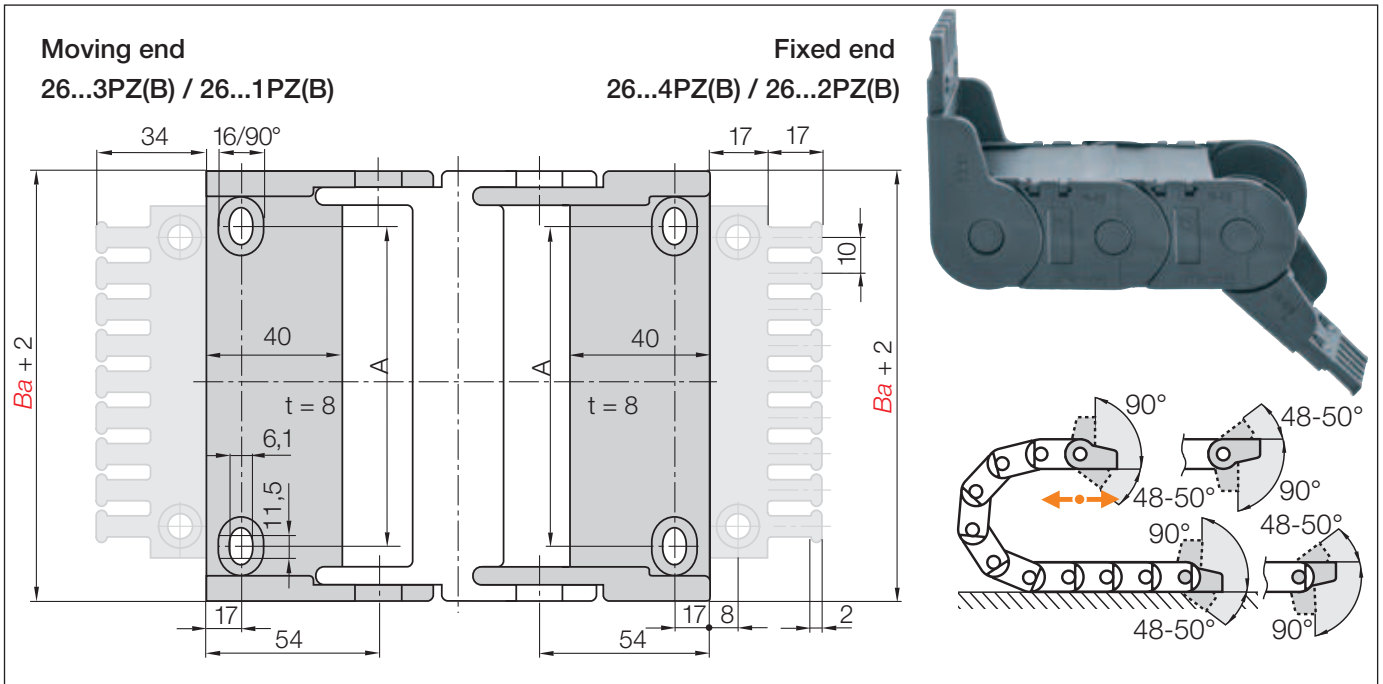
R	063*	075*	100	125	150	175	200	250
H	176	200	250	300	350	400	450	550
D	172	184	209	234	259	284	309	359
K	310	350	430	505	585	665	745	900

The required clearance height: $H_F = H + 35\text{ mm}$ (with 2,0 kg/m fill weight)

*Radius available upon request, please consult igus® for delivery time. Before using series 2650/2680 on long travels please consult igus®.

E2/000 | e-tubes 2650·2680 | Accessories

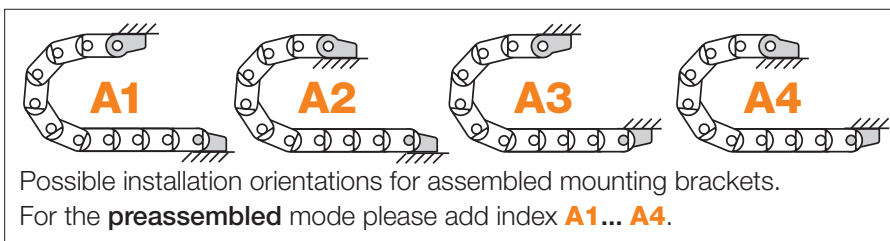
Mounting brackets, polymer | Pivoting | Locking



Polymer pivoting | Recommended for unsupported applications | **Standard**
Polymer locking | Recommended for vertical hanging and standing applications

Width Index	Standard	Part No. full set pivoting		Part No. full set locking		A [mm]	Number of teeth
		with tiewrap plates	without tiewrap plates	with tiewrap plates	without tiewrap plates		
.05.	▶	2605.34PZB	2605.34PZ	2605.12PZB	2605.12PZ	30	5
.06.	▶	2606.34PZB	2606.34PZ	2606.12PZB	2606.12PZ	45	5
.07.	▶	2607.34PZB	2607.34PZ	2607.12PZB	2607.12PZ	55	7
.09.	▶	2609.34PZB	2609.34PZ	2609.12PZB	2609.12PZ	70	9
.10.	▶	2610.34PZB	2610.34PZ	2610.12PZB	2610.12PZ	80	10
.12.	▶	2612.34PZB	2612.34PZ	2612.12PZB	2612.12PZ	105	12
.15.	▶	2615.34PZB	2615.34PZ	2615.12PZB	2615.12PZ	130	15
.17.	▶	2617.34PZB	2617.34PZ	2617.12PZB	2617.12PZ	155	17

Full set with tiewrap plate + 10 cable tiewraps, please add index **K1** ▶ e.g. 2605.34PZBK1



Part No. structure

2605. 34 PZB **A1**




A... must be indicated on preassembled configurations

With strain relief tiewrap plates

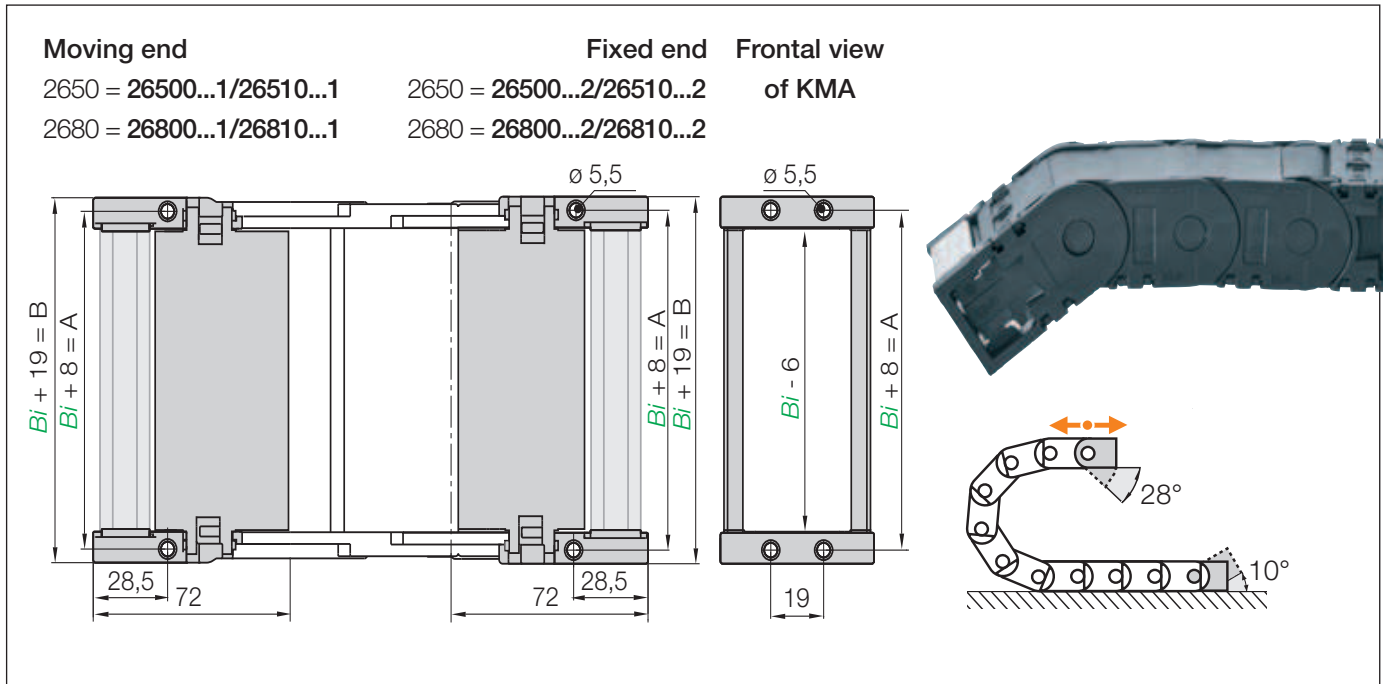
Full set pivoting = 34

Mounting bracket for selected width index

 **Strain relief** e.g. clamps, tiewrap plates, nuggets and plug-in clips are available from stock. The complete chainfix range with order options ▶ from page 656

E2/000 | e-tubes 2650-2680 | Accessories

KMA mounting brackets | Attachment from any side | Pivoting | Locking



KMA pivoting | Recommended for unsupported applications

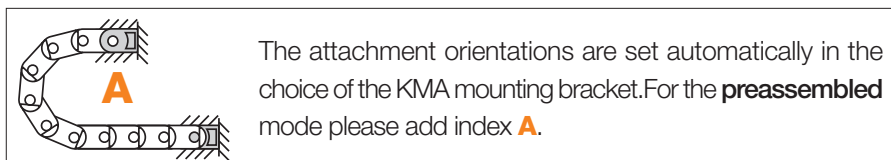
KMA locking | Recommended for vertical hanging and standing applications

Width Index	Part No. full set KMA pivoting		Part No. full set KMA locking		A [mm]	B [mm]
	with C-profile	without C-profile	with C-profile	without C-profile		
.05.	▶ 26500 26800 .05.12.C	26500 26800 .05.12	26510 26810 .05.12.C	26510 26810 .05.12	58	69
.06.	▶ 26500 26800 .06.12.C	26500 26800 .06.12	26510 26810 .06.12.C	26510 26810 .06.12	73	84
.07.	▶ 26500 26800 .07.12.C	26500 26800 .07.12	26510 26810 .07.12.C	26510 26810 .07.12	83	94
.09.	▶ 26500 26800 .09.12.C	26500 26800 .09.12	26510 26810 .09.12.C	26510 26810 .09.12	98	109
.10.	▶ 26500 26800 .10.12.C	26500 26800 .10.12	26510 26810 .10.12.C	26510 26810 .10.12	108	119
.12.	▶ 26500 26800 .12.12.C	26500 26800 .12.12	26510 26810 .12.12.C	26510 26810 .12.12	133	144
.15.	▶ 26500 26800 .15.12.C	26500 26800 .15.12	26510 26810 .15.12.C	26510 26810 .15.12	158	169
.17.	▶ 26500 26800 .17.12.C	26500 26800 .17.12	26510 26810 .17.12.C	26510 26810 .17.12	183	194

KMA pivoting Part No. 26500... for half e-tube series 2650 / Part No. 26800... for full e-tube series 2680

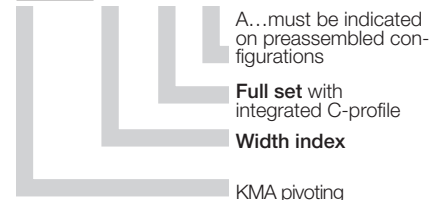
KMA locking Part No. 26510... for half e-tube series 2650 / Part No. 26810... for full e-tube series 2680

(KMA = Polymer Metal Mounting Bracket)



Part No. structure

26500. 05. 12.C **A**



Option: steel locking Part No. 260.12 - for e-chains® and e-tubes available

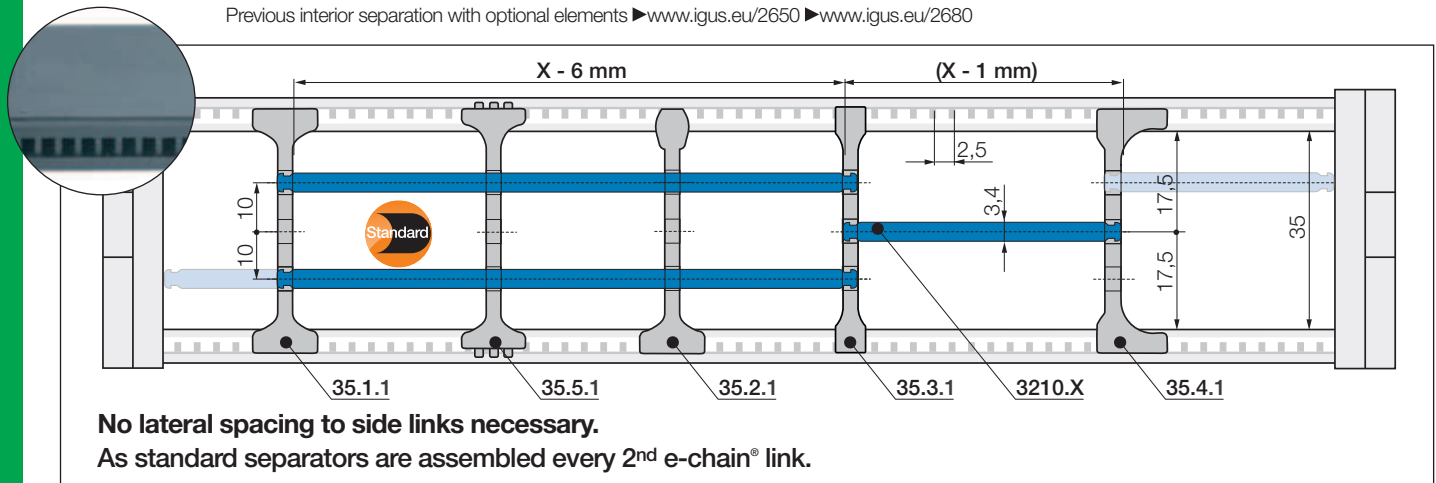
- Locked connections
- One part (2-piece) for all e-chain® widths
- Electrically conductive




Strain relief e.g. clamps, tiwrap plates, nuggets and plug-in clips are available from stock. The complete chainfix range with order options ▶ from page 656

Interior separation | New generation

Previous interior separation with optional elements ► www.igus.eu/2650 ► www.igus.eu/2680



No lateral spacing to side links necessary.
As standard separators are assembled every 2nd e-chain® link.




Standard separator, wide base

unassembled	35.1
assembled	35.1.1

Standard - for any application

Separator with a wide base for maximum holding strength in the e-chain®.




Separator, narrow head

unassembled	35.2
assembled	35.2.1

For even faster installation

Wide on one side for high holding strength, narrow on opposite side for easy cable fitting.




Separator, narrow base

unassembled	35.3
assembled	35.3.1

For thin cables

Separator with a narrow base for a large number of thin cables side by side. Saves space in e-chains®.




Separator, asymmetrical

unassembled	35.4
assembled	35.4.1

For side-mounted applications

Asymmetrical separator, for defined distance. No additional spacers required.




Notch separator, lockable

unmontiert	35.5
montiert	35.5.1

Locks securely in 2,5 mm increments

Notch separator for exact positioning in e-chains®. Recommended for side-mounted applications.



Full-width shelf, lockable

unassembled	3200.X
assembled	3210.X

Horizontal separation

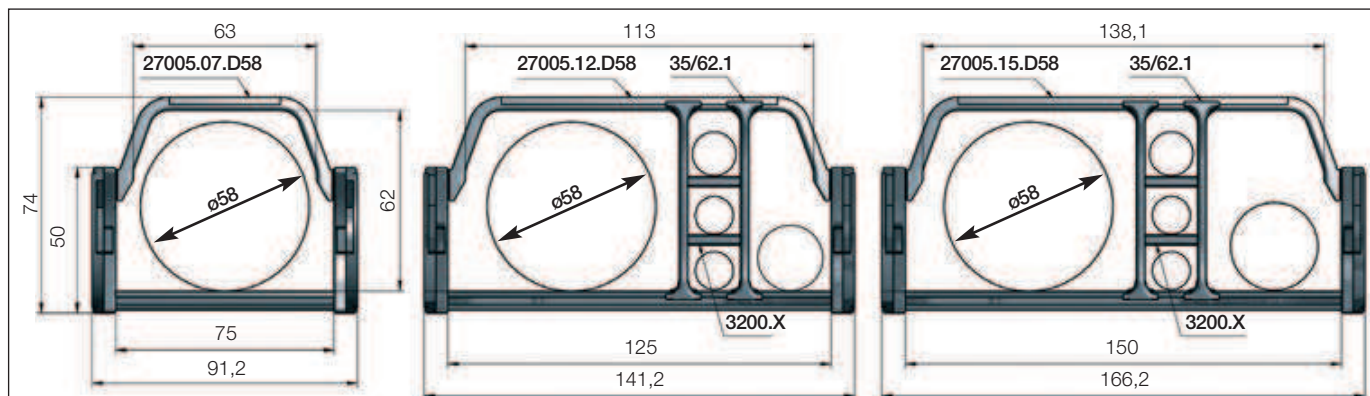
Full-width shelf locks securely into separators at both ends, giving a fixed width. Separators can be moved freely over the shelf in horizontal direction. Can be fitted at 3 different heights.

Lockable full-width shelves



050	3200.050	3210.050	125	3200.125	3210.125	225	3200.225	3210.225
075	3200.075	3210.075	150	3200.150	3210.150	250	3200.250	3210.250
100	3200.100	3210.100	175	3200.175	3210.175			
115	3200.115	3210.115	200	3200.200	3210.200			

Extender crossbars



Extender crossbars only for series 2650 - large increase of the interior space for the smooth guiding of larger hoses. Suitable for hoses with an outer diameter of max. 58 mm.

Extender crossbars for half e-tubes snap-open along the inner radius

	<i>Bi</i> [mm]	<i>Ba</i> [mm]	<i>R</i> Bend radii [mm]
2650.07 D58.R.0	75	91	100 125 150 175 200 250
2650.12 D58.R.0	125	141	100 125 150 175 200 250
2650.15 D58.R.0	150	166	100 125 150 175 200 250

Supplement Part No. with required radius (*R*). Example: 2650.15D58.100.0

Interior separation for extender crossbars

Standard separator, wide base
 unassembled 35/62.1
 assembled 35/62.1.1

Standard separator, wide base

For maximum holding strength and safe standing. In standard configuration separators are assembled every 2nd link.

Full-width shelf, lockable
 unassembled 3200.X
 assembled 3210.X

Horizontal separation

Full-width shelf locks securely into separators at both ends, giving a fixed width. Separators can be moved freely over the shelf in horizontal direction. Can be fitted at 5 different heights.

Optional: support tray kit - for support of the lower run

- Simple one-piece support trays according to your requirements and specification
- Easy installation onto your machine, on profiles or wall-mount brackets
- igus® support tray - available in 2 types and 4 options

More information ► from page 740

